



Volume 99

2018

p-ISSN: 0209-3324

e-ISSN: 2450-1549

DOI: <https://doi.org/10.20858/sjsutst.2018.99.9>

Journal homepage: <http://sjsutst.polsl.pl>



Article citation information:

Kaššay, P. Effect of torsional vibration on woodchip size distribution. *Scientific Journal of Silesian University of Technology. Series Transport*. 2018, **99**, 95-104. ISSN: 0209-3324. DOI: <https://doi.org/10.20858/sjsutst.2018.99.9>.

Peter KAŠŠAY¹

EFFECT OF TORSIONAL VIBRATION ON WOODCHIP SIZE DISTRIBUTION

Summary. Nowadays, there is increasing demand for the use of renewable energy sources such as woodchips. One of the important qualitative parameters of woodchips is the size distribution. The aim of this article is to determine the effect of a woodchipper disc's torsional vibration on the evenness of woodchip length, as well as propose a mathematical solution to this problem by assuming one harmonic component of disc speed and the uniform feed of chipped material. The presented mathematical solution can be used to determine the unevenness of woodchip length when the parameters of torsional vibration are known.

Keywords: mathematical model; size distribution; torsional vibration; uneven chip length; woodchips

1. INTRODUCTION

Nowadays, there is increasing demand for the use of renewable energy sources such as woodchips. One of the important qualitative parameters of woodchips is size distribution. From the usability point of view, it is important to achieve homogeneous properties of woodchips because heterogeneous material can cause problems with bridging over openings [6], high emissions from burning [9,10], storing and drying [7].

¹ Faculty of Mechanical Engineering, Technical University of Košice, Letná 9 Street, 040 01 Košice, Slovakia. Email: Peter.Kassay@tuke.sk.

Woodchip size distribution is affected by dimensional inaccuracies in the woodchipper, feeding speed, geometry of the cutting tool and the properties of the chipped material [1,2].

We assume that woodchip size distribution may be also affected by torsional vibration of the woodchipper's disc, especially in the case of the inappropriate tuning of the mechanical system drive. The purpose of this paper is to mathematically express the influence of the torsional vibration of the disc chipper on the unevenness of woodchip length.

2. KINEMATICS OF THE WOODCHIPPER DISC

The use of a disc chipper, whose principle is illustrated in Fig. 1, is considered. The disc (1) rotates with the mean angular speed ω [rad/s⁻¹]. The disc has z knives (2) applied uniformly to the face of the disc. All consecutive knives are rotated relative to one another by the pitch angle φ_N . Material with a constant width (3) is fed to the knives at the uniform feeding speed v_f [mm·s⁻¹], the value of which must be adjusted so that the chip is cut before touching the disc face in order to avoid energy loss from friction [1].

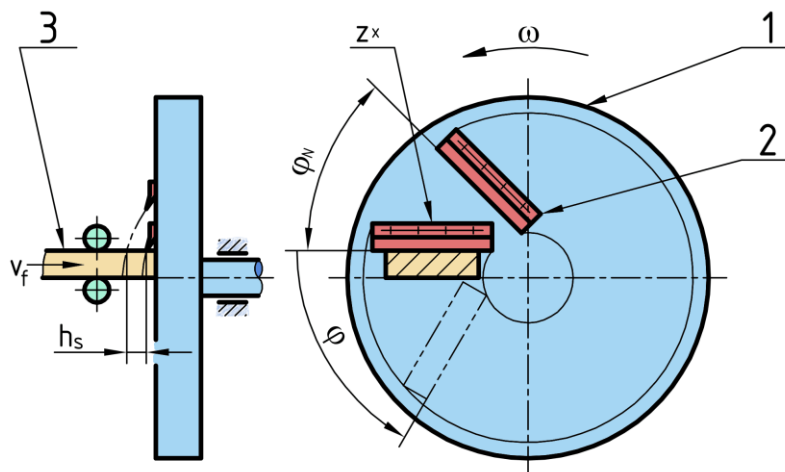


Fig. 1. Scheme of the disc chipper

The length of chip h_s [mm] depends on the disc angular speed ω , the feeding speed v_f [mm·s⁻¹] and the number of knives z . The disc angle is labelled as φ [rad]. The time course of the disc angle is shown in Fig. 2. The disc rotates at the mean angular speed ω and simultaneously performs a harmonic torsional vibration with the angular frequency $i \cdot \omega$. The nominal cutting frequency with the constant angular speed ω is equal to $z \cdot \omega$.

The disc angle, according to **Fig. 1** Fig. 2, can generally be expressed by the following equation:

$$\varphi = \omega \cdot t - \varphi_0 \cdot \sin(i \cdot \omega \cdot t - \gamma) \quad (1)$$

where:

t - time [s]

φ_0 - disc angle amplitude [rad]

i - order of torsional vibration [-]

γ - phase of torsional vibration [rad]

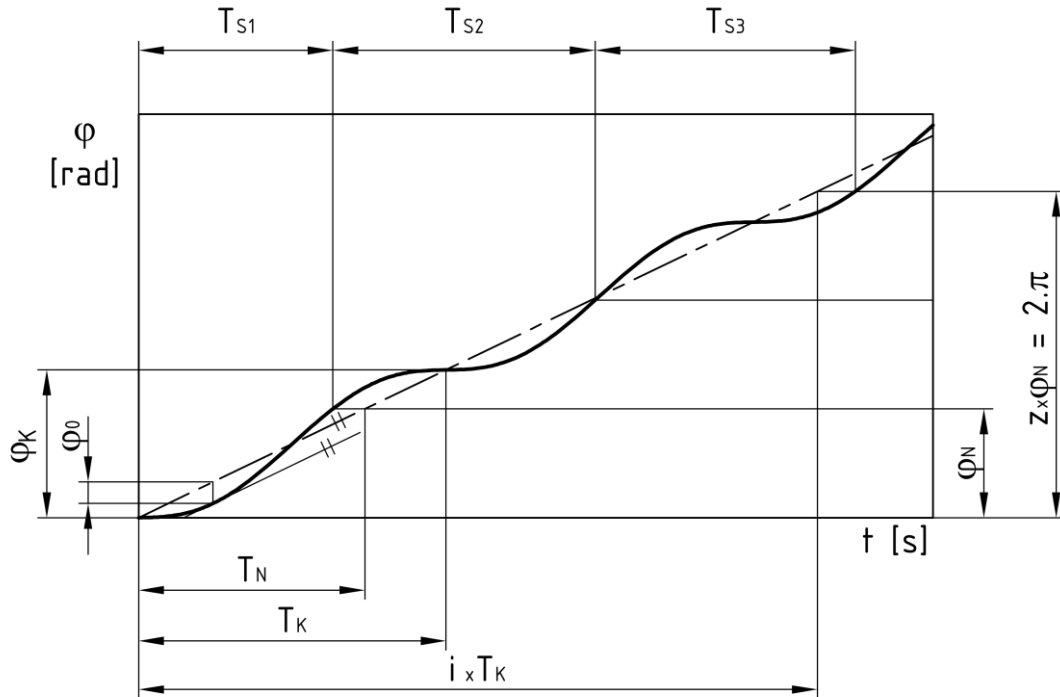


Fig. 2. Time course of the disc angle

The angular velocity $\dot{\varphi}$ [rad·s⁻¹] is obtained as a time derivation of the disc angle (1):

$$\dot{\varphi} = \omega - \varphi_0 \cdot i \cdot \omega \cdot \cos(i \cdot \omega \cdot t - \gamma) \quad (2)$$

For the limit disc angle amplitude $\varphi_0 = \Phi_0$, the stopping of the disc is considered. For larger amplitudes, the angular velocity of the disc can reach negative values. By fitting zero angular velocity for $t=0$ and $\gamma=0$ into Eq. (2), we obtain the value of limit disc angle amplitude:

$$\Phi_0 = \frac{1}{i} \quad (3)$$

The relative size of torsional vibration k [-] can be expressed with the ratio of the disc angle amplitude φ_0 to the limit disc angle amplitude Φ_0 as:

$$k = \frac{\varphi_0}{\Phi_0} \quad (4)$$

where $k \in \langle 0; 1 \rangle$.

According to Fig. 2, pitch angle φ_N [rad] can be computed as:

$$\varphi_N = \frac{2\pi}{z} \quad (5)$$

In turn, the disc's angle of rotation during one period of torsional vibration can be computed as:

$$\varphi_K = \frac{2\pi}{i} \quad (6)$$

Then, the nominal period of cutting T_N [s] can be computed from the nominal cutting frequency:

$$T_N = \frac{2\pi}{z \cdot \omega} \quad (7)$$

In turn, the period of torsional vibration T_K [s] can be computed from the frequency of torsional vibration:

$$T_K = \frac{2\pi}{i \cdot \omega} \quad (8)$$

The woodchip length h_S [mm] can be determined from the feeding speed v_f and time between the moments of touching the chipped material by two consecutive knives T_S [s] corresponding to the pitch angle φ_N , as shown in Fig. 1 and Fig. 2, by expression:

$$h_S = T_S \cdot v_f \quad (9)$$

The nominal woodchip length h_N [mm] can be computed as:

$$h_N = T_N \cdot v_f \quad (10)$$

As the times T_S are not constant and differ from nominal cutting period T_N (see Fig. 2), the woodchip length will also not be constant. Therefore, we can say that torsional vibration may cause woodchip length unevenness.

3. COMPUTING WOODCHIP LENGTH UNEVENNESS

Woodchip length unevenness can be expressed by the proportional chip length ν [-], as a ratio of the woodchip length h_S (9) to the nominal woodchip length h_N (10):

$$\nu = \frac{T_S}{T_N} \quad (11)$$

The relationship in (11) shows that the proportional chip length ν depends on times T_S and T_N .

Next, a parameter of the frequency ratio η [-], representing the ratio of the frequency of torsional vibration to the cutting frequency, is introduced:

$$\eta = \frac{i}{z} \quad (12)$$

To simplify the derivation of relationships, we introduce the dimensionless parameters of torsional vibration and woodchip length. The dimensionless representation of torsional vibration is shown in Fig. 3, where dimensionless time s is related to the period of torsional vibration T_K :

$$s = \frac{t}{T_K} \quad (13)$$

and a dimensionless rotation angle u is related to the disc's angle of rotation during one period of torsional vibration φ_K :

$$u = \frac{\varphi}{\varphi_K} \quad (14)$$

Dimensionless woodchip length S will be related to the nominal period of torsional vibration T_K :

$$S = \frac{T_S}{T_K} \quad (15)$$

The nominal dimensionless woodchip length can be obtained as a ratio of nominal period of cutting T_N (7) to the period of torsional vibration T_K (8), which will be equal to frequency ratio η , see relationship (12):

$$S_N = \eta \quad (16)$$

The dimensionless amplitude of torsional vibration u_0 can be obtained as a ratio of torsional vibration amplitude φ_0 , expressed in the formula in (4), to the disc's angle of rotation during one period of torsional vibration φ_K (6):

$$u_0 = \frac{k}{2\pi} \quad (17)$$

Then, the proportional woodchip length can be computed from dimensionless values S and S_N as:

$$v = \frac{S}{S_N} \quad (18)$$

The woodchip length will reach the limit values when it is located symmetrically around points where the actual speed of the disc is at its maximum (Fig. 3a) or minimum (Fig. 3b).

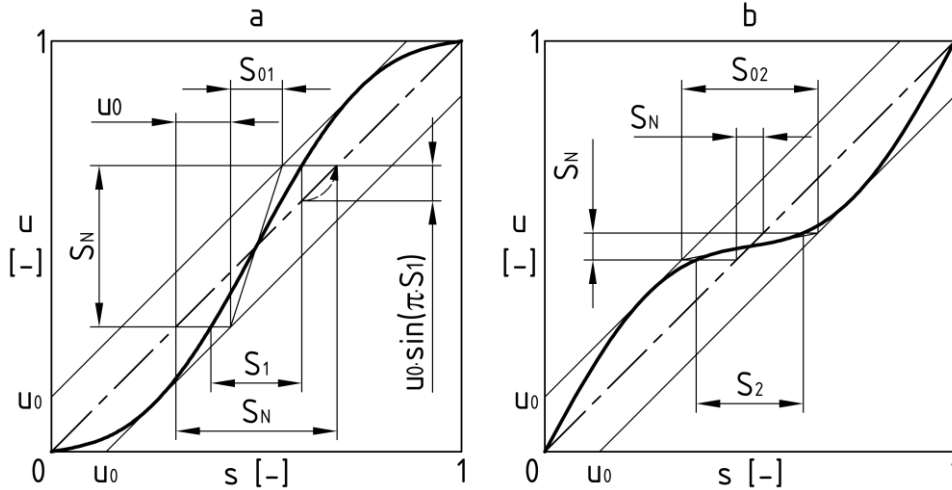


Fig. 3. Dimensionless representation of torsional vibration

The actual value of the length of each woodchip will lie between these limit values. The range (0; 1) in Fig. 3, on the horizontal axis, corresponds to one period of torsional vibration T_K , while, on the vertical axis, it corresponds to the disc's angle of rotation during one period of torsional vibration φ_K .

According to Fig. 3, we can express the nominal dimensionless woodchip length as:

$$S_N = S_{1,2} \pm 2 \cdot u_0 \cdot \sin(\pi \cdot S_{1,2}) \quad (19)$$

and the envelope of limit values of dimensionless woodchip length as:

$$S_{01,2} = S_N \mp 2 \cdot u_0 \quad (20)$$

By modifying Eq. (19), we obtain a formula for the limit values of dimensionless woodchip length:

$$S_{1,2} = S_N \mp 2 \cdot u_0 \cdot \sin(\pi \cdot S_{1,2}) \quad (21)$$

Now, we can express the limit values of the proportional woodchip length as the ratio of $S_{1,2}$ from Eq. (20) to S_N from Eq. (16), and by using the formula in (17) as u_0 :

$$v_{1,2} = 1 \mp \frac{k}{\pi \cdot \eta} \cdot \sin(\pi \cdot S_{1,2}) \quad (22)$$

By introducing substitutions into the formula in (22), the limit values of the proportional woodchip length $v_{1,2}$ are finally obtained as:

$$v_{1,2} = 1 + \delta_0 \cdot \xi_{1,2} \quad (23)$$

where:

δ_0 - the limit envelope value of the proportional woodchip length:

$$\delta_0 = \frac{k}{\pi \cdot \eta} \quad (24)$$

$\xi_{1,2}$ - the limit envelope value of proportional woodchip length:

$$\xi_{1,2} = \bar{\xi} \sin(\pi \cdot S_{1,2}) \quad (25)$$

However, we need to express the value of $\xi_{1,2}$ depending on S_N . Therefore, the inverse function to (19) should be fit into Eq. (25). The graphical solution is shown in Fig. 4. The functions $\xi_{1,2}$ are periodic, with the period of frequency ratio $\eta=2$. As the shape of ξ_1 and ξ_2 functions are identical, and the phase shift between them is equal to 1, only a half-period is shown in Fig. 4. We also do not need to know which line exactly represents ξ_1 and ξ_2 , because we only need to know that the actual proportional woodchip length will lie between these limit values.

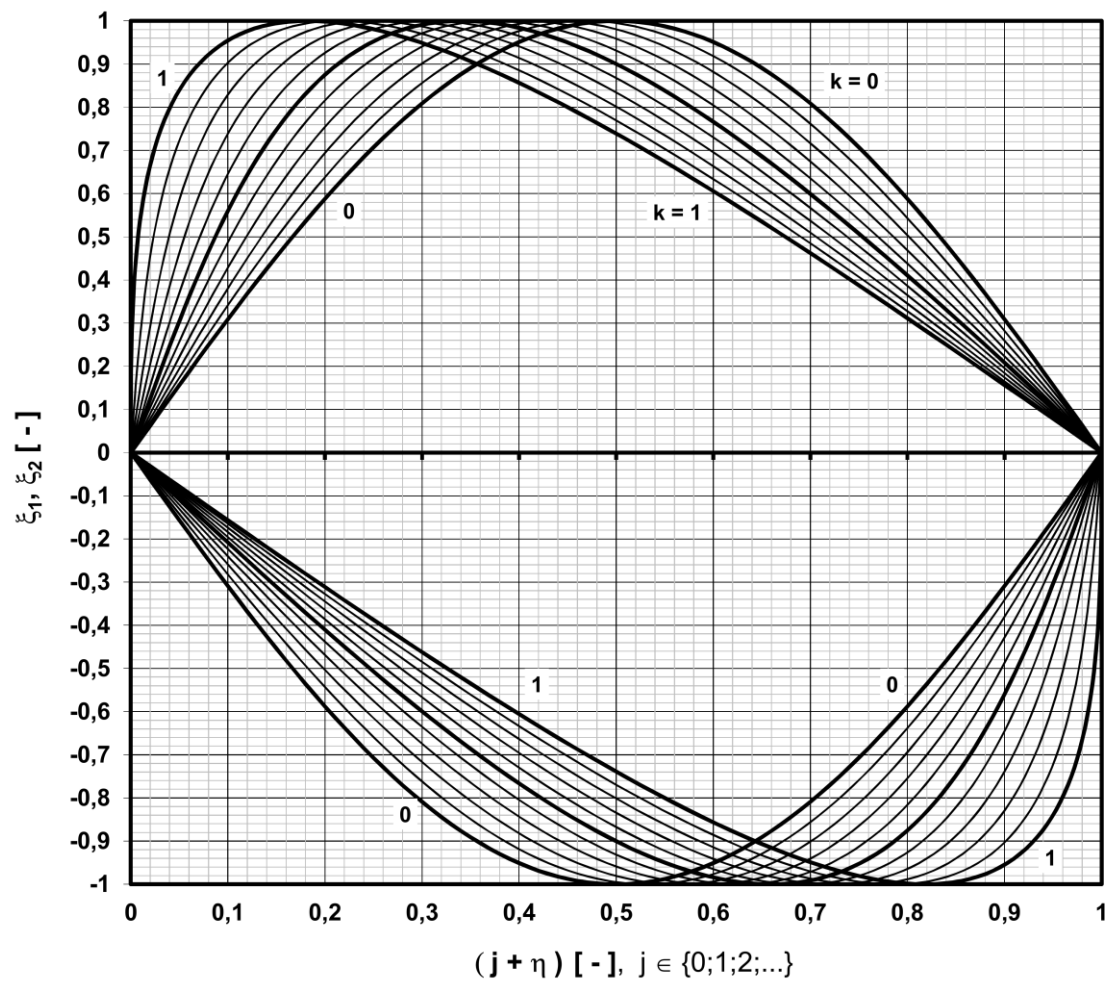


Fig. 4. Limit envelope value of the proportional woodchip length

Fig. 5 shows the limit values of the proportional woodchip length, according to the formula in (23, depending on frequency ratio η , in terms of different relative sizes of torsional vibration k .

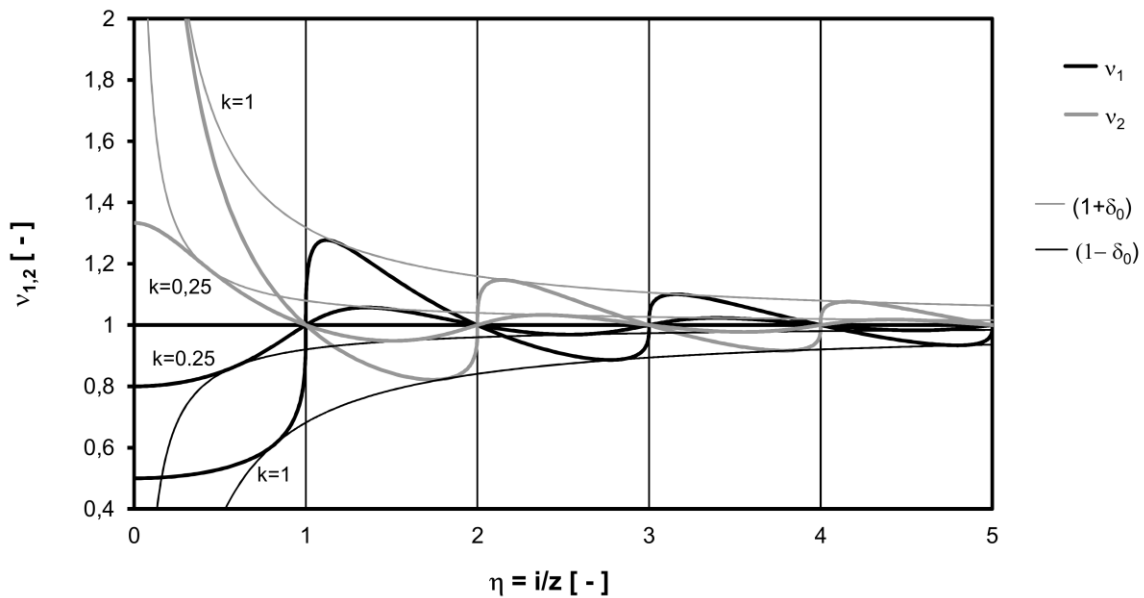


Fig. 5. Limit values of the proportional woodchip length

4. DISCUSSION

According to Fig. 5, the influence of the following torsional vibration parameters on woodchip length unevenness can be stated thus:

(1) Frequency ratio η

If the frequency ratio between the cutting frequency and the torsional vibration frequency is an integer, unevenness in woodchip length cannot arise.

This can be accomplished by using a mesh drive with a proper gear ratio (e.g., gear, timing belt, chain drives). With a friction drive, due to slippage, this goal cannot be accomplished.

The frequency ratio is influenced by the following parameters:

(1a) Frequency of torsional vibration excited by the woodchipper's disc

The frequencies of the torsional vibration harmonic components excited by the disc will be an integer multiple of the number of knives. This means that the unevenness of woodchip length, due to the woodchipper's disc excitation, cannot theoretically arise.

(1b) Frequency of torsional vibration excited by the drive

This includes harmonic components excited by the engine (most likely, a piston combustion engine) or fluctuations in the gear ratio (e.g., due to the use of a cardan joint, shaft misalignment) [4]. For these influences, it is advisable to keep the engine torque constant (use of electric motor) or to maximize the order of the main harmonic component (choosing a piston engine with a larger number of cylinders).

(1c) Frequency of self-excited vibration

The frequency of self-excited vibration is close to the natural frequency of the mechanical system [3]. In this respect, it is advantageous to have the frequency of self-excited torsional

vibration (natural frequency) as high as possible. As such, it is necessary to avoid an integer ratio of natural frequency to cutting frequency in order to avoid resonance in the system [11].

(1d) Number of knives

Woodchip length unevenness reaches the highest values in the case of low values of the frequency ratio, i.e., for low frequencies of torsional vibration and a high number of knives.

Therefore, it is advantageous to choose as low a number of knives as possible.

(2) Size of torsional vibration amplitude

Woodchip length unevenness increases depend on the rising torsional vibration amplitude. Therefore, it is the best to keep the amplitude as low as possible. The highest value of vibration amplitude occurs in the case of resonance, i.e., when the frequency of the exciting torque is equal to the mechanical system's natural frequency. This can be avoided by the proper tuning of the system's dynamic parameters (i.e., torsional stiffness, mass moment of inertia, damping coefficient) [5].

4. CONCLUSION

The method presented in this paper is suitable for determining woodchip length unevenness caused by torsional vibration of the disc chipper. In order to use this method, it is necessary to know the parameters of torsional vibration (frequency and amplitude), which can be obtained theoretically by dynamic analysis or by measurement.

In the future, it will be necessary to examine the realistically achievable range of woodchip length unevenness caused by torsional vibration, based on the dynamic analysis of currently produced disc chippers.

References

1. Abdallah Rami, Sébastien Auchet, Pierre Jean Méausoone. 2011. "Experimental study about the effects of disc chipper settings on the distribution of wood chip size". *Biomass and Bioenergy* 35(2): 843-852. ISSN: 0961-9534. DOI: 10.1016/J.BIOMBIOE.2010.11.009.
2. Abdallah Rami, Sébastien Auchet, Pierre Jean Méausoone. 2014. "A dynamic measurement of a disc chipper cutting forces". *Biomass and Bioenergy* 64: 269-275. ISSN: 09619534. DOI: 10.1016/J.BIOMBIOE.2014.02.033.
3. Brepta Rudolf, Ladislav Půst, František Turek. 1994. *Mechanické Kmitání*. [In Czech: Mechanical Oscillation.] Prague: Sobotáles, ISBN: 80-901684-8-5.
4. Grega Robert, Jozef Krajňák, Lucia Žul'ová, Gabriel Fedorko, Vierošlav Molnár. 2017. "Failure analysis of driveshaft of truck body caused by vibrations". *Engineering Failure Analysis* 79: 208-215. ISSN: 1350-6307. DOI: 10.1016/j.engfailanal.2017.04.023.
5. Homišin Jaroslav, Matej Urbanský. 2015. "Partial results of extremal control of mobile mechanical system". *Diagnostyka* 16(1): 35-39. ISSN: 1641-6414.
6. Jensen Peter Daugbjerg, Jan Erik Mattsson, Pieter D. Kofman, Achim Klausner. 2004. "Tendency of wood fuels from whole trees, logging residues and roundwood to bridge over openings". *Biomass and Bioenergy* 26(2): 107-113. ISSN: 0961-9534. DOI: 10.1016/S0961-9534(03)00101-6.

7. Kristensen Erik Fløjgaard, Pieter D Kofman. 2000. "Pressure resistance to air flow during ventilation of different types of wood fuel chip". *Biomass and Bioenergy* 18(3): 175-180. ISSN: 0961-9534. DOI: 10.1016/S0961-9534(99)00089-6.
8. Mickevicius T., S. Slavinskas, S. Wierzbicki, K. Duda. 2014. „The effect of diesel-biodiesel blends on the performance and exhaust emissions of a direct injection off-road diesel engine". *Transport* 29(4): 440-448. ISSN: 1648-4142.
9. Omid M. Rouhani, Hossein Zarei. 2014. "Fuel consumption information: an alternative for congestion pricing?". *Road & Transport Research: A Journal of Australian and New Zealand Research and Practice* 23 (3).
10. Paulrud Susanne, Calle Nilsson. 2004. "The Effects of particle characteristics on emissions from burning wood fuel powder". *Fuel* 83(7-8): 813-821. ISSN: 0016-2361. DOI: 10.1016/J.FUEL.2003.10.010.
11. Wilson Wiliam Ker. 1967. *Practical Solution of Torsional Vibration Problems – Volume 1*. London: Chapman & Hall Ltd.

This paper was written within the framework of the KEGA 041TUKE-4/2017 grant project "Implementation of New Technologies Specified for Solving Questions Concerning the Emissions of Vehicles and Their Transformation in Educational Processes in Order to Improve the Quality of Education".

This article was created with support from the project for PhD students and young researchers project entitled "Solution of a Control System Element for Mechanical Systems' Continuous Tuning".

Received 14.02.2018; accepted in revised form 11.05.2018



Scientific Journal of Silesian University of Technology. Series Transport is licensed under a Creative Commons Attribution 4.0 International License