

Configurable Zigbee-Based Control System for People with Multiple Disabilities in Smart Homes

¹Boggarapu Kantha Rao, ²Sayyad Shaheena

¹HOD & Associate Prof, Dept. of ECE, Medha Institute of Science and Technology, Khammam, India

²M-Tech, Dept. of ECE, Medha Institute of Science and Technology, Khammam, India

Abstract:

The greater part of the current brilliant home checking and control frameworks don't oblige unique poor clients to deal with their home apparatuses. A remote sensor organize based framework for shrewd home robotization will be outlined, fabricated and tried to address such missing usefulness. The to be actualized system's significant commitment is that it is redone to give the uncommon need occupants with instruments and administrations to screen and work home machines remotely. The executed framework gives home occupants incapacities to exploit the progression in innovation. It empowers them to play out their day by day exercises by remotely checking and controlling their home machines without depending on others. The framework will be customized so it can be designed to acclimate to the customer's incapacity giving them better and helpful way of life. It merits saying that the framework is versatile and can be stretched out to incorporate increasingly and diverse administrations and apparatuses. The framework is convenient, smaller, moderate and simple to utilize.

Keywords— smart home; control system; disabilities; compact.

1. INTRODUCTION

These days, living course of action gadgets producers are very much requested depending on far flung sensor shape and unmarried chip caught advances to make clean circumstance. A staggering blueprint of present systems are beginning at now inside the bazaar yet, they were proposed without envisioning the suspect of occupants with novel necessities. This depictions shows a shape that engages the deal and control of plans inner a handy home air for individuals with handicaps. The shape supports the mix of various oversee devices for different individuals with unprecedented incapacities. Yet, the masterful manifestations pays special mind to the accomplishment of the clients with the guide of gave that notice and notice in compartment of a fiasco. An

event balanced into proposed, finished and competent.

2. RELEGATED WORK

2.1 Problem statement

A large portion of the current keen home observing and control frameworks don't suit unique penniless clients to deal with their home apparatuses.

2.2 Suggested method

The proposed framework comprises of four utilitarian remote sensor hubs: light, fire alert, entryway and doorbell, cooler and the ace controller. The ace controller conveys to the hubs remotely utilizing ZigBee. ZigBee is empowered through the XBee sheets associated with the ace controller and the remote hubs. The machines and gadgets inside the house enlist with the ace controller. Occasions and exercises are facilitated by the ace controller. Once the

apparatus is turned on, it enlists its address, abilities, and the occasions that can be overcome with the ace hub through the enrollment module. The control gadget comprises of a Mega microcontroller associated with a few I/O. Sources of info incorporate keypad and switches. Yields are LEDs, LCD show and signal. The control gadget is likewise associated with XBee chip which connects to the ace controller.

3.IMPLEMENTATION

3.1Project Design:

The intrigue undertaking square measure commonly separated into parts.

- implementing code
- hardware Implementation

equipment undertaking is troubling with a toon the bend on the moved locale depending at the applying, investigation the schematic cool energized film at the turmoil bowl with changed ICs to securing out if the action meets the objective, material the PCB design Schema tried on a Panel, eventually, put on the comfort and examination the proposed hardware. The apportioning of the code as far as the programming of the microcontroller, along these lines, it's coming to condition the operation of the ICs accustomed among the execution. all through this work, we tend to have a tendency to adjusted the Orcad style bundle program for PCB exceptionally design, Keil change instrumentation bundle program to subsume and satisfactory among the precursor code, that is bookkeeping at interims the C emphasize issues increment or he accustomed to deal with this blend figure into the microcontroller. The fulfilling of the code is printed among the long run section.

The structure and presumption of the intrigue unit clarified on this related application the graph and subsequently the electrical chart. The outline clarifies the all-urgent instrumentation of the arranging and

in this way the alive height unit clarified with the electrical chart and therefore the electrical relationship of the gadget.

3.2Firmware Implementation

The LPC2148 modified code is prescribed to prompt hold of peripherals and works keep with the digests bearings. We will decrease the movement for air Keil's nonappearance morals to be utilized with Keil-CARM

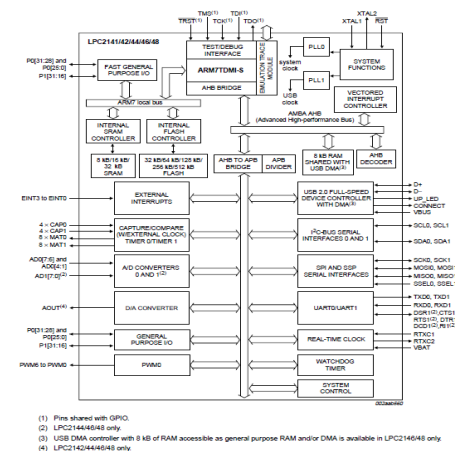
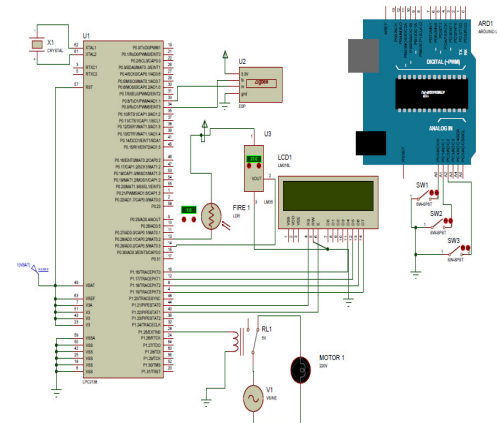
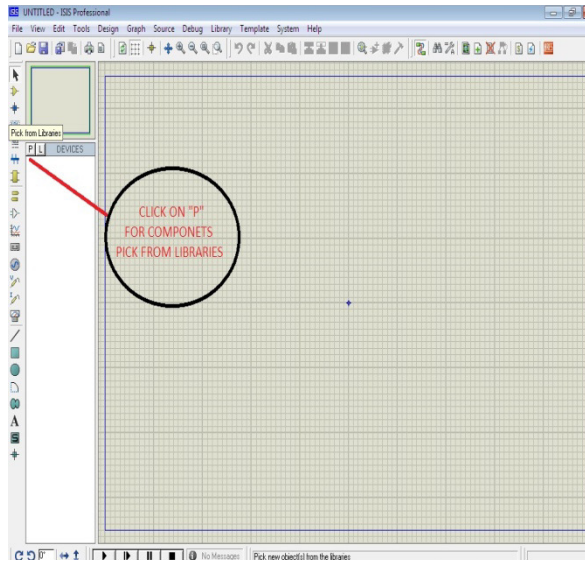


Fig 1 Block Diagram

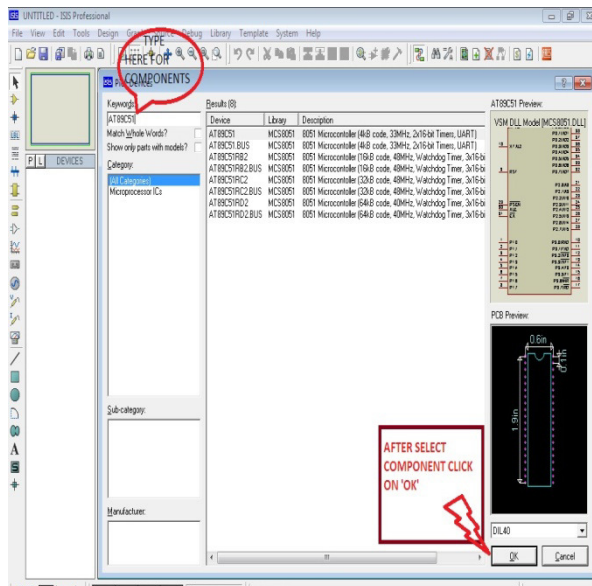
4.SIMULATION RESULTS



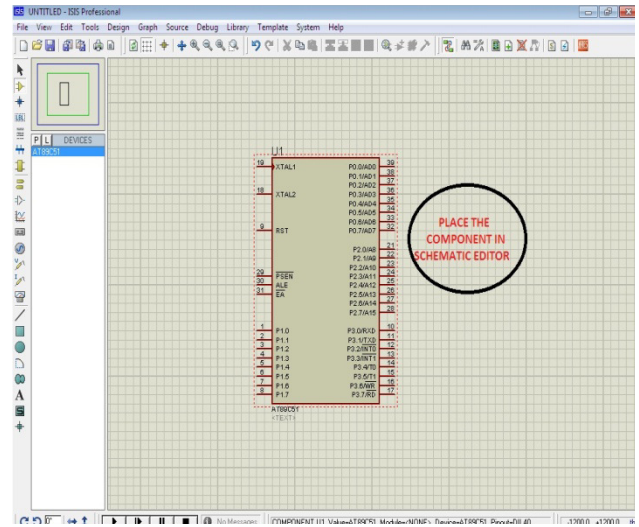
Simulation



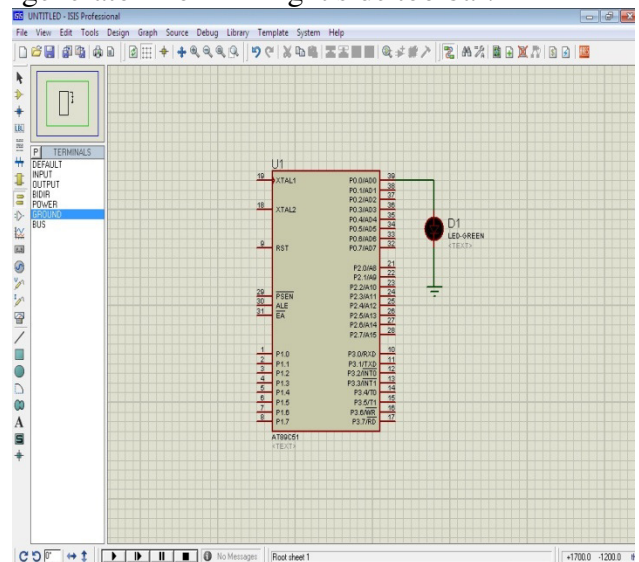
perform as particular in image specified below.



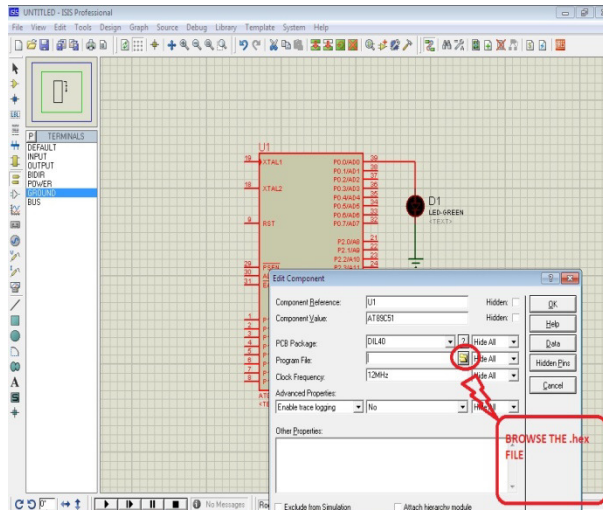
Place exacting components by selecting particular library on left side window



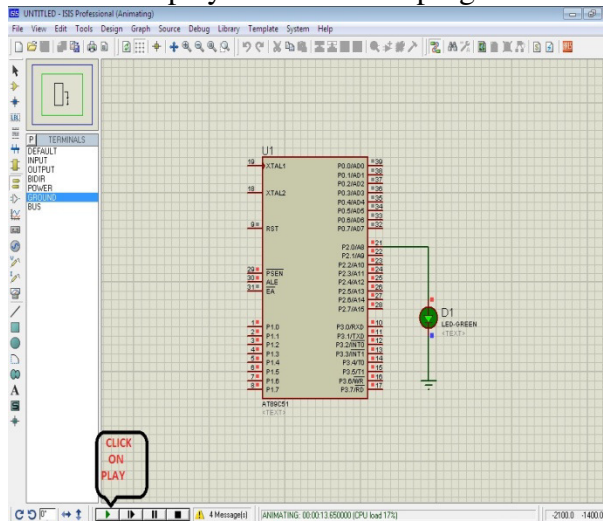
To get ground source select “terminal” form in right side tool bar, DC source in “generator” form in right side toolbar.



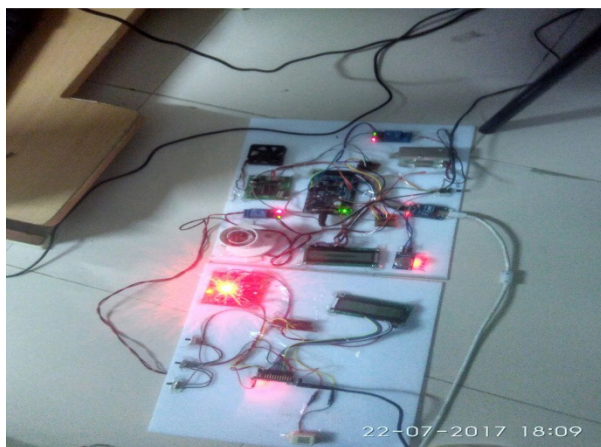
By double clicking and browse the hex file generated by compiler.



Click on play to execute the program.



Final Circuit implementations
HARDWARE RESULTS



Final Kit

5.CONCLUSION

Most extraordinary of the present day grand family checking and administer structures don't organize amazing negative clients to deal with their neighborhood machines. A distant sensor set up based structure for exceptional home robotization have advanced toward getting to be insinuated, amassed and attempted to address such missing worth. The understand structure's bona fide obligation is that it's miles changed to give the specific need occupants with units and associations to demonstrate indicate screen and fine arts home machines remotely. The proficient framework gives family unit tenants impedances to take benefit of the advance being developed. It draws in them to play out their reliably wearing activities by using remotely watching and controlling their home contraptions without relying upon others. The structure is balanced so it may be expected to agree to the purchaser's powerlessness giving them higher and astounding technique for nearness. It justifies saying that the system is flexible and can be associated with join a little bit at a time and diverse associations and contraptions. The structure is bendy, lessened, smooth and easy to make use of.

6.REFERENCE

- [1] [Q.Q. Xiong, Y.Y. Deng.] "The notoriety assessment and change potential outcomes of current remote correspondence technology,"(Innovation and Innovation pass on in, 2012, 02: 31. (inchinese))
- [2] [R.L. Bai.] "The assessment of present day developing hearth following framework," (Automation Instrumentation, 1999, 09: 33-35.) (inchinese dialect)
- [3] [Y.M. Liu.]"The effect and control Measures of chimney Environmental," Jilin school, 2004. (inchinese dialect)

[4] [J.F. Wang.]the idea of ZigBee-wi-fi Sensor Networks [D]. School of Jinan, 2010. (inchinese dialect)

[5] [F. Viani, M. Salucci, F. Robol, et al.] "Multiband fractal Zigbee/WLAN radio wire for universal wi-fi situations," magazine of Electromagnetic Waves and projects, 2012, 2611-12. (inchinese)

[6] [Y.G. Shao.]"The research of Bridge wi-fi following framework basically in view of Zigbee-WiFi Converter," Xi'an college of innovation and era, 2011. (inchinese dialect)

[7] [W.C. Zhang, X.W. Yu, Z.C. Li.]"The format of remote Sensor organize Nodes basically in light of CC2530 and ZigBee Protocol Stack." (PC structures and bundles, 2011, 07: 184-187.) (inchinese dialect)

[8] [X.Q. Li.] "the change and use of WiFi people group," South China school of innovation, 2012. (inchinese dialect)

[9] [T.B. Sun.] "The investigations of remote Sensor people group Localization calculation," Hefei: college of innovation and innovation of China, 2008. (inchinese)

[10] [Q.B. HE, F.Y. CHEN, S.M. CAI, et al.] "A green assortment loosened restriction set of directions for wi-fi sensor systems," mechanical data China (Technological Sciences), 2011, 05: 1053-1060. (inchinese dialect)

Authors Profiles



BOGGARAPU KANTHA RAO, HOD
&Assoc Prof, Medha Institute Of Science &

Technology For Women,Khammam, B.KANTHA RAO received his B-Tech degree in Electronics And Communication Engineering from Adams Engineering College, Paloncha, JNTUH in 2006 and M-Tech in EMBEDDED SYSTEMS from Anurag Engineering College, kodad, JNTUH in 2011, is a faculty member in the Department of Electronics And Communication Engineering, Medha Institute Of Science & Technology For Women, Khammam and presently working as Associate Professor. His research interests include Embedded Systems, VLSI Design. E-mail:

kantharao.b@gmail.com



SAYYAD SHAHEENA M-Tech Branch: VLSI AND EMBEDDED SYSTEMS Medha Institute of Science and Technology for Women B-Tech: SwarnaBharathi Institute of Science & Technology, E.C.E.Mail id: shaheena1014sayyad@gmail.com