

The Adoptive Control on Ground Clearance of Vehicle with Variable Speed: A Review

Smayantak Hokale (1), Prof. V. R. Patil (2)

ME (Automotive Engineering) AISSMS COE Pune (1)

Assistant Professor of Mechanical department AISSMS COE Pune (2)

E-mail Id- smayantak@gmail.com contact no. 9503666141

Abstract— The handling of vehicle is depends number of parameters, centre of gravity of that vehicle is one of them. For sport car it always keeps low but for the passenger car it compromises with its ground clearance. To provide the appropriate ground clearance is need of designer to reduce the destructive damage of bottom component of vehicle. CG is important parameter to vehicle for handling and dynamic stability at high speed. In advanced vehicle there are active and semi-active suspensions to give stability to the vehicle. Here, this paper introducing various techniques used to provide ability to the vehicle for more stability and road holding capacity. On the same platform what will the effect of replacing passive suspension with adjustable damper. The review show that, there are multiple parameters changed with replacing passive suspension which give penalty in complexity, reliability, cost and weight. So there is need of developing a system which is intermediate in passive and active suspension.

Keywords— Ground clearance, Centre of gravity, Passive suspension, Active suspension, Semi-active suspension, Controlling strategies, Handling of vehicle, Road holding

INTRODUCTION

Road conditions are not similar at all place, it changes with application, environment and climate. In city at different sectors like school-hospital there are speed breakers of different dimensions. At certain condition road goes straight without any pits else we found irregularity. Most of the people buy only one 4 wheeler which they use that at all this condition. Hence it's necessary to give some standard ground clearance to the vehicle. But still there are some restrictions to drive the car on highway and in city.

It is not possible for the vehicle to run at high speed on its standard ground clearance provided considering the city obstacles. To provide the ability to the vehicle to give the good performance at high speed and low speed it is necessary to build one system which can vary the ground clearance. This can achieve by changing the suspension height with respect to speed of the vehicle.

Suspension systems plays vital role while designing the car for good stability and road holding ability [1]. It is very difficult to achieve this ability at all road condition with passive suspension system [2]. This problem can solve by active suspension system but this is not widely used because it required more external energy and additional controlling system which affected on cost of the vehicle [3]. With a view to reducing complexity and cost while improving ride, handling and performance the semi active suspension system is used.

In this paper various parameters are discussed which are related to the ground clearance and suspension system and its control. This gives the idea about the vehicle characteristics like ride control, height control, roll control, road holding etc. and its effect on car performance.

LITERATURE REVIEW

Hrishikesh V Deo & Nam P Suh[4] introduced that how the comfort and handling are interrelated with CG of the vehicle. They designed the suspension system which varies its height and stiffness according to speed. The researchers used short long arm suspension system which is widely used in front wheel suspension. To controlling the height and stiffness can be achieved by making the lower spring pivot movable along the lower control arm. For moving the pivoted point and achieve desired position electric motor is used to actuate the actuator. But there are some limitation comes across, that is about less quick response. In this paper they also described about active and semi-active suspensions limitations and how it can be overcome with adaptive control with variable height.

P.E. Uys *, P.S. Els, M. Thoresson[5] presented the suspension settings for optimal ride comfort of off-road vehicles travelling on roads with different roughness and speeds. In this they vary the suspension settings for different roads roughness and vehicle speeds and results achieved for comfort level. Simulation is performed on a Land Rover Defender 110 model in MSC.ADAMS software for speeds ranging from 10 to 50 km/hr. Tests were performed on 100m Belgian paving and also ISO 2631-1, BS 6841 and VDI 2057 at different speeds. Correlation between measured and simulated results is very good, especially with respect to vertical acceleration.

There are number of applications related to ground clearance and their consideration is designer need. To give the information about vital role of ground clearance Debojyoti Mitra[6] presented design optimization of ground clearance of domestic

cars. Stability and performance is also parameter of ground clearance. If we allow the vehicle for the low ground clearance then it helps to give less drag force simultaneously it consumes less fuel resulting less pollution. The experiment is carried out in wind tunnel with the help of notch back car model. The result shows that the positive lift force reduces with increasing height of ground clearance. Hence the optimized value of h/b ratio has to be taken in to consideration of clearance design. With the help of spoiler the lift force problem can be solve.

The active suspension system is very essential for handling and giving comfort. These days this system is used in different type of vehicles like hybrid vehicles. Morteza and Mahdi[7] presented active suspension system in parallel hybrid electric vehicles. In this they compare the conventional and hybrid vehicle with active suspension. For conventional the power is taken from the IC engine hence gives little lag in actuation while in hybrid electric vehicle it is direct, resulting less fuel consumption and less emission.

Guangqiang Wu, Guodong Fan, and Jianbo Guo[8] presented ride comfort evaluation for road vehicle based on rigid-flexible coupling multibody dynamics. Spectrum of vibrations occurs in the vehicle due to various speeds. There are different road profiles and roughness therefore occupants are subjected to accelerations in different directions, which caused discomfort. With the help of ADAMS-CAR they built rigid and rigid flexible coupling multi-body vehicle models. As speed increases the relative difference goes increases, at 80 km/hr it becomes 8%. It is better to build the variable suspension with rigid flexible coupling.

Mohammad, Mahir and Iyad[9] gives new control strategy for active suspension using modified fuzzy and PID controllers. In this they proposed controlled strategy to control the suspension system by means of electro-hydraulic actuator. The passive suspension is replaced by low frequency active suspension. The quarter car model tested under rolling effect, cornering and pitching effect at different speeds and road profiles. The reduction in body acceleration by 60% gives better road holding and car stability. There are two types of active suspensions which are commonly recognized that are low bandwidth and high bandwidth. Non-linear controllers are more capable to handle high bandwidth active suspension because they show good capability at worst road condition. Researchers gives the linear controller over active suspension of low bandwidth new PID with fuzzy switch which improve the performance of suspension.

The design of suspension is concern with three main parameter; car body acceleration for ride comfort, the tire deflection for road holding and the suspension travel. The ideal suspension system would minimize these three quantities for any road and operating condition, which is not achievable for suspension having constant spring stiffness and damping. This can be achieved by active suspension system. But this needed high external energy. Hence it is not widely used. The alternative solution is to use of semi-active suspension. It reduces car body resonance without compromising road holding. But this solution gives disturbance like jerk, rattling noise etc. Hence C. Collette, A. Preumont[10] presented paper on energy transfer in semi-active suspension that the energy transfer phenomenon may be bearable up to certain extent by filtering the control signal or providing suitable mounting.

VARIABLE GROUND CLEARANCE

There are two techniques to vary the ground clearance that are open loop and closed loop system. In closed loop system there are two type active suspension and semi-active suspension system.

Active Suspension System:

In active suspension actuator are located parallel to the spring and shock absorbers as shown in figure 1. To apply the proper control over the suspension data is taken from body and wheel motion [1] by means of sensors. The external supply is needed to actuate the actuator hence there are various techniques developed by the researchers such as sky-hook damping model, PI and PD

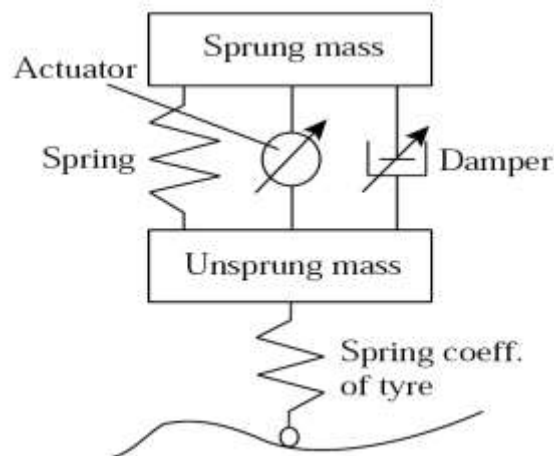


fig.1. Active suspension system[11]

fuzzy controllers, the optimum parameters of fuzzy controller by genetic algorithm [11]. Generally speaking a high- quality active suspension system can separate the vehicle chassis from the vibration arising from road surface. It further ensures the contact between the wheels and road surface for better ride comfort and safety. The active suspension classified in two modes i.e. low bandwidth (1-3 Hz) and high bandwidth (10-15 Hz) [12].

Semi-Active Suspension System:

In semi-active suspension actuator are located parallel to the spring and shock absorbers as shown in figure 2. There are several categories of semi-active suspension system;

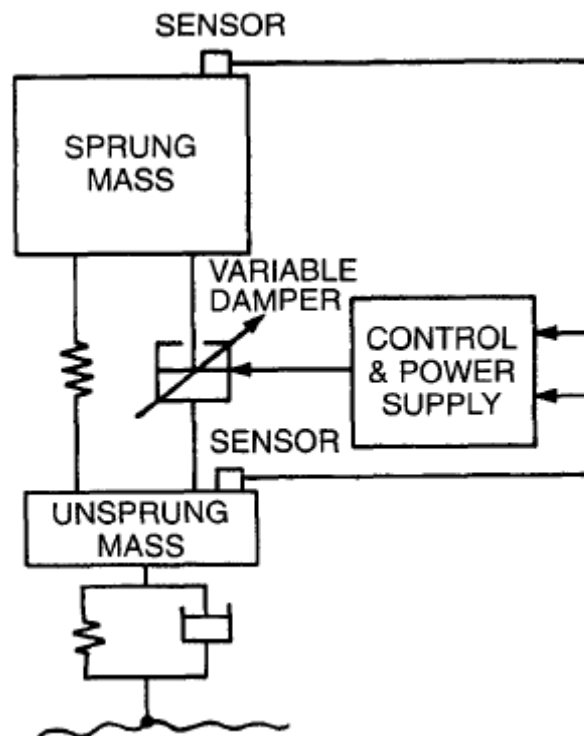


fig.2 semi-active suspension[13]

(a) Slow active- Suspension damping or spring rate can be switched between several levels of response to change in driving condition. This system is capable to control the pitch, bounce and roll motion of the vehicle.(b) Low bandwidth responds the low frequency sprung mass motion.(c) High bandwidth responds both low as well as high frequencies [12].

The regulating of the damping force can be achieved by adjusting the orifice area in the shock absorber, thus changing the resistance to fluid motion damping coefficient can change. Recently, the electrorheological and magnetorheological fluids to be developed to control the damper which is popular now a day. [13]

CONCLUSION

In automobile industry there are always research is going on to provide maximum comfort to the passenger. While considering this situation it provided low stiffness spring or damper, which compromises the handling of the vehicle. For the highway application we need more speed and stability to the vehicle. It is not possible to achieve with constant spring stiffness or damper. The above study show that there are different techniques developed to overcome this problem, but still that system is not implemented in all vehicles, because of their complexity, reliability and cost issue. Therefore it is need to develop the system which is intermediate in passive and active suspension which will provide good stability and holding capacity for the passenger car.

REFERENCES:

- [1] Seyed Ali Zahiripour, Ali Akbar Jalali "Designing an Adaptive Sliding-Mode Controller for Car Active Suspension System Using an Optimal Proportional-Integral Sliding Surface" International Conference on Future Information Technology and Management Science & Engineering Lecture Notes in Information Technology, Vol.14, 2012
- [2] Ayman A. Aly, and Farhan A. Salem "Vehicle Suspension Systems Control: A Review" International Journal of Control, Automation and Systems Vol.2 No.2, July 2013
- [3] C. Lauwerys, J. Swevers, P. Sas "Model free control design for a semi-active suspension of a passenger car" Proceedings of ISMA2004
- [4] Hrishikesh V Deo, Nam P Suh "Axiomatic Design Of Customizable Automotive Suspension" The Third International Conference on Axiomatic Design Seoul, June 21-24, 2004
- [5] P.E. Uys, P.S. Els, M. Thoresson, "Suspension Settings for Optimal Ride Comfort Of Off-Road Vehicles Travelling On Roads with Different Roughness and Speeds" Journal of Terramechanics 44 163-175, 2007

- [6] Debojyoti Mitra “Design Optimization of Ground Clearance of Domestic Cars” International Journal of Engineering Science and Technology Vol. 2 (7), 2678-2680, 2010
- [7] Morteza Montazeri-Gh, Mahdi Soleymani Morteza Montazeri-Gh & Mahdi Soleymani “Active Suspension System in Parallel Hybrid Electric Vehicles” IUST International Journal of Engineering Science, Vol. 19, No.5-1, Page 97-104, 2008
- [8] Guangqiang Wu, Guodong Fan, Jianbo Guo “Ride Comfort Evaluation for Road Vehicle Based on Rigid-Flexible Coupling Multibody Dynamics” Theoretical & Applied Mechanics Letters 3, 013004, 2013
- [9] Mohammad H. AbuShaban¹, Mahir B. Sabra, Iyad A. Abuhadrous “A New Control Strategy for Active Suspensions Using Modified Fuzzy and PID Controllers” The 4th International Engineering Conference- Towards Engineering of 21st Century, 2012
- [10] C. Collette, A. Preumont “Energy Transfer in Semi-Active Suspension”
- [11] Jyh-Chyang Renn and Tsung-Han Wu “Modeling and Control of A New 1/4t Servo-Hydraulic Vehicle Active Suspension System”, Journal of Marine Science and Technology, Vol. 15, No. 3, pp. 265-272, 2007
- [12] Thomas D. Gellispie “Fundamental of Vehicle Dynamics”, Society of Automotive Engineers, Inc.400 Commonwealth Drive Warrendale, PA 15096-0000, pp 269-271
- [13] J. Y. Wong “Theory of Ground Vehicles”, John Wiley & Sons, Inc New York, pp 474-481