

## **AN ASSEMBLY MOLDING OF CLOSE MECHATRONIC SYSTEMS THROUGH A TYPICAL APPROACH**

**B. Sudarshan<sup>1</sup>, K. Divyalakshmi<sup>2</sup> & Y. Bhaskar Reddy<sup>3</sup>**

<sup>1</sup>Associate Professor, Department of Mechanical Engineering, K.S.R.M. College of Engineering (Autonomous), Kadapa, Andhra Pradesh, India-516003

<sup>2</sup>Assistant Professor, Department of Electronics & Communication Engineering, K.S.R.M. College of Engineering (Autonomous), Kadapa, Andhra Pradesh, India-516003

<sup>3</sup>Assistant Professor, Department of Computer Science Engineering, K.S.R.M. College of Engineering (Autonomous), Kadapa, Andhra Pradesh, India-516003

### **ABSTRACT**

Assembly injection moulding is an advanced and highly integrative technique for producing mechatronic systems, with a broad range of choices. This is because it incorporates several technological functions in one manufacturing process, such as shells and close up of many components completed of various materials. Combining different materials, in particular, is both a significant technical advantage and a significant challenge. The tightening of the system is a big objective. This paper provides a model to help researchers better understand how leakage happens and the processes that underpin it, such as contract age and war page behaviors that are affected by material, repetition, and design. It will also serve as the base for research into the phenomenon and the development of techniques to boost the media tightness of assembly moulding systems. The compound interface and intereffects present on thermal and structural shrinkages, the elements' war page, and the adhesion between them are all very important

**KEYWORDS:** Assembly Molding, Plastics Technology, Mechatronic Systems

---

### **Article History**

**Received: 04 Mar 2021 | Revised: 08 Mar 2021 | Accepted: 15 Mar 2021**

---

### **INTRODUCTION**

Assembly injection moulding refers to injection moulding methods that connect several parts of plastics and other materials to shape a piece or several parts. [1]. Injection moulding for assembly allows for the development of multifunctional fusion element groups in a single cost-effective primary-shaping technique [2,3]. On-molding over molding metal parts protects them from corrosion. Destructive/scraping media, for example, can be difficult to differentiate. Electric cables and isolations, for example, are isolated from each other. A mixture of plastics is used in a number of mechatronic applications. And metals are cutting-edge. Many applications exist in the automotive industry, such as engine control systems, sensors, and air conditioning, to name a few [4,5] The main functions of mechatronic efficient assemblies, such as casings and plug connectors, are as follows[6,7]:

- Electrical conductivity related to punched sections as well as other conductors
- Electrical separation with seating and holding mechanism given by plastic shell
- Transfer point stiffness

Stiffness is a property that is unique to each component. The actual application determines the specifications. Differential pressure or leakage rates may be used to identify products based on their industrial security classification IP code [8, 9]. For example, “tight” implies that the calculated leakage rate is less than the allowable limit. Leakage of assembly crafted groups may be caused by a number of factors. Scientists most generally refer the issue to a contraction-induced distance among metal and plastic inserts [10].

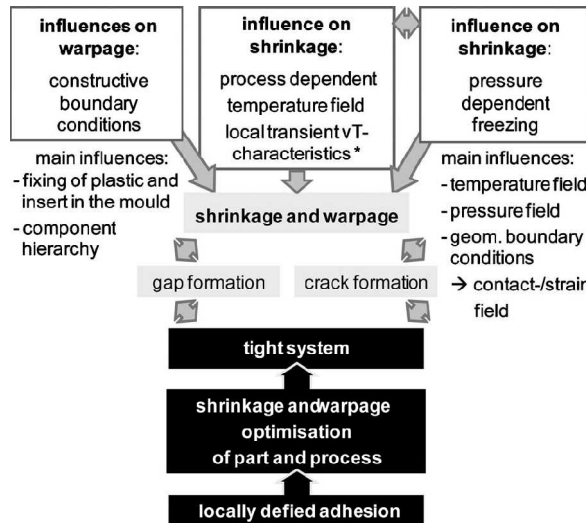
Post-practices (process), such as casting, have been spent to deal with leakage until now. Understanding the processes resulting from material, design, and development, as well as being able to explain the interactions between them, is important for designing and implementing optimization approaches for mechatronic systems that are closely coupled to media.

### **RELATIONSHIPS AND PROCESSES**

The simple mechanisms that cause breaks and cracks during manufacturing are the decline and warpage behaviors of the mechatronic assembly classes. On one side, the plastic material can contract away from a metal insert, resulting in a breaks between the two materials. On the other hand, the thermoplastic component on the metal insert can contract. Local stress peaks are induced in the plastic portion in this case. This can lead to fractures cutting-edge the assembly community or, at the very smallest, unfavorable bias. The assembly can eventually fail prematurely due to alternating loads during use.

If a particular form of adhesion is implemented the stress courses in the components will also alter locally. In this case, Stress peaks in particular areas may be minimized this way. This would be helpful. To prevent material overload, which could lead to cracks in one way, by using additional products, you can directly affect adhesion. Adhesion agents, for example. However, the process conditions that existed at the time Injection moulding is also very relevant. Among them are: The high temperatures in the state line layers are called conditions [12]. As well as the electrically powered bonding between plastic and metal, this is thought to be stronger with a better flow behavior due to the plastic’s lower viscosity [13].

When considering the high temperatures path within a plastic melt down during injection moulding, high temperatures materials and part boundary layers are of even greater significance. Here, the high temperatures inside a community of assembly workers communicate. As a result, they don't just behave directly. High temperatures factors take priority over the overall system's contractage and war page activities, which is critical. This also induces adhesion and attachment to interact with one another.



**Figure 1: Contractage and War Page Processes and Factors in Relation to Device Tightness \*v, Real Volume; T, High Temperatures.**

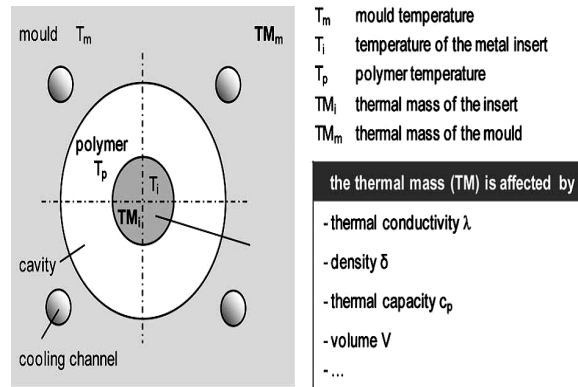
The underlying intereffects to be examined in particular investigations are shown in Figure 1. Model studies of thermal and geometric processes in an injection mould were performed, demonstrating the significance of considering process conditions in terms of high temperatures fields and pressure fields in order to determine contractage/war page and thus adhesion. Locally dynamical transient activity of freezing and thus contractage can be predicted when high temperatures and pressure fields in the melt down flow are combined.

The method as a consequence, the amount of contractage and the amount of resistance to contractage are determined by the degree of contractage and the design. In the plastic, and hence the overall behavior of war page a constituent Following is an overview of a model method that can be used as a reference. Basis for comprehending the processes that occur during over molding inserts made of thermoplastic this may be the starting point for a systematic approach. Content, design, and development optimization in order to produce mechatronic systems that is media-tight and resistant.

### **PROCESSES IN NEED OF TEMPERATURES AND PRESSURE FIELDS EFFECT ON CONTRACTAGE: A MODEL APPROACH**

Changes in the dimensions of the components produced during manufacturing or use are to blame for all damage causes, the creation of breaks and cracks. Dimensional variations in metals and plastics are primarily caused by positive and negative thermal elongations, as well as differences between them. Another factor to remember is pronounced contractage and compressibility when handling plastics in various aggregation states.

Any asymmetry in high temperatures, flow, or filler or molecule orientation affects contractage behavior and will often result in war page or internal stress within the plastic portion [14]. The high temperatures field in the plastic melt down must therefore be considered as one of the major influencing factors [15]. This influences properties such as local melt down viscosity, and the flow phase affects the orientation of fillers as a result. The high temperatures field in a meltdown flow, as a locally transient system property, has a major influence due to certain relations between influencing factors and properties.



**Figure 2**

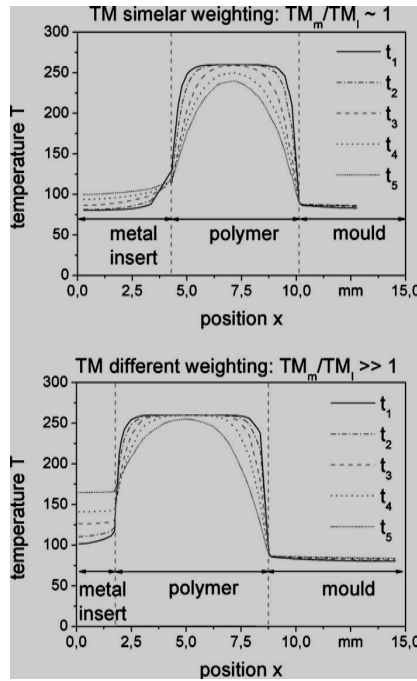
Figure 2 A 2D Model Method for the Static-Transient High Temperatures Field in the Mould, Silicone, and Insert is Sketched. Geometry is on the Left, and Variables Affecting Thermal Masses are on the Right.

The high temperatures within the resin, insert, and mould prevailing during over molding are examined in order to recognize the complex relationship that occurs between the conditions of high temperatures and pressure within a plastic melt down with respect to its effects on contractage and thus on war page. This is Asymmetries in terms of geometry or, in most cases, high temperatures cause war page in plastics-based assembly groups.

The following sections outline the driving factors that cause thermal asymmetries in over molded plastics, as well as the corresponding impact analyses. Static-transient investigation is carried out on a locally fixed 2D cross section by insert, plastic, and mould. In this first test, melt down flow is ignored. The mould has been cooled, as shown by the cooling channels in this example (Fig.2). The plastic's high temperature is determined by the thermal boundary conditions that exist at the two contact interfaces. A collection of geometrical and current characteristic values are subjected to a highly dynamic method before being used to measure thermal conditions. Material properties such as thermal conductivity, density, and thermal strength, for example, are important [16]. The volumes that establish thermal conditions must also be taken into account. Since the mould is many times larger and additionally cooled, the mould surface cooling is much quicker in the areas near to the walls.

The inserts are much smaller and do not have any cooling. As a consequence, other factors such as the distance between cooling channels and cavity, the size of cooling channels, and their cooling ability are significant. These individual variables are referred to as "thermal mass," which is the thermodynamic equivalent of "inert mass" or "moving mass." The resistance of a structure, such as a mould, to high temperatures change or its tempering effect is referred to as thermal mass. On one hand, the "thermal mass of the metal insert  $TM_i$ " influences the high temperatures profile of the plastic melt down when an insert is over molded, and on the other hand, the "thermal mass of the mould  $TM_m$ " influences the high temperatures profile of the plastic melt down while an insert is over molded.

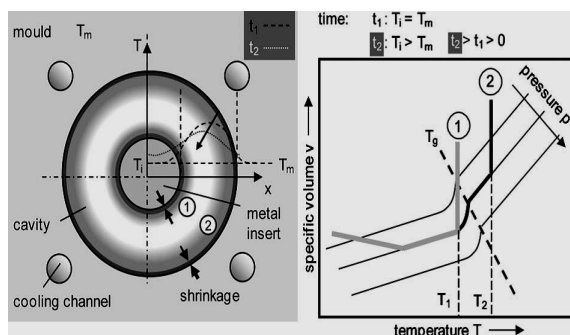
To illustrate this, thermal simulations of the cooling process for a stationary plastic melt down were performed using the Cosmos Works finite element FE programmed. A high temperatures distribution is obtained when a plastic melt down with a high temperatures of  $270^\circ\text{C}$ , which is typical of polyamide 8, is brought into contact with a mould and an initial temperatures of  $82^\circ\text{C}$ , as shown in Fig. 3 top. The high temperatures in the plastic melt down decreases as the contact time  $t$  is increased.



**Figure 3: Static-Transient 2D-Cooling  $TM_m/TM_i \approx 1$  at the Top;  $TM_m/TM_i \gg 1$  at the Bottom.**

Because the tempering environments in the insert are not tempered and the mould is strongly cooled, and because the mould surface is many times greater than the insert surface, thermal mass  $TM_m$  is considerably higher than  $TM_i$ . This scenario is depicted at the bottom of Figure 3. With time, the melt down high temperatures in areas near the insert rises significantly. As the process time and touch time between melt down and insert move, the insert heating becomes more pronounced. The high temperatures field changes due to the elevated contact high temperatures between insert and melt down, as well as the steady contact high temperatures at the cavity surface as a result of rapid cooling.

This inter-relation is represented schematically in Figure-4. During cooling, the high temperatures profile of  $TM_m/TM_i \approx 1$  may change toward the metal insert.



**Figure 4**

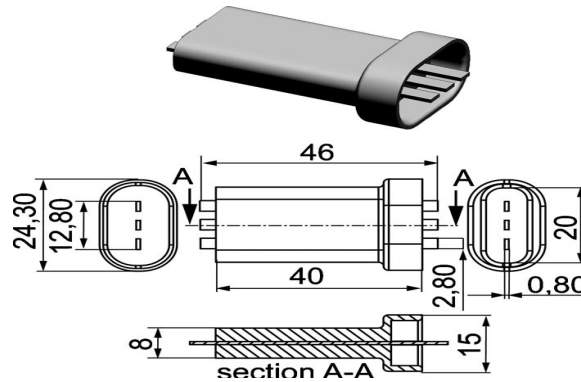
Figure 4 Because of the pressure and thermal conditions, in similar contractage occurs in a polymer in a cooled mould and in an uncooled metal insert. Left:  $TM: TM_m/TM_i \approx 1$  sketch; right: strain, volume, and high temperatures "pvT-characteristic" are all different locally.

As the melt down is exposed to injection pressure, the cooler areas  $T_1$  close to the mould (point 2) freeze faster than the heated areas  $T_2$  around the metal insert (point1) in Fig.4 left. Pressure solidification is another term for this process at  $T_1$ . The lower temperatures of a plastic, the simpler it freezes. The plastic will freeze near the shape surface from the

outset and will endeavor to raise the radiator and all the more effectively formable mass around the addition from it, similar to an external ring. The solid state of a material contracts much more than the liquid state, allowing the material to contract away from the mould surface much less severely than the liquid state.

### EXAMPLE OF A METHOD

The model would be made apparent in an experiment at this point in the investigation. An investigation specimen is plug is used. A Demag Ergotech 15/282-82 injection moulding machine was used to build it. Figure 5 is for the specimen's geometry.



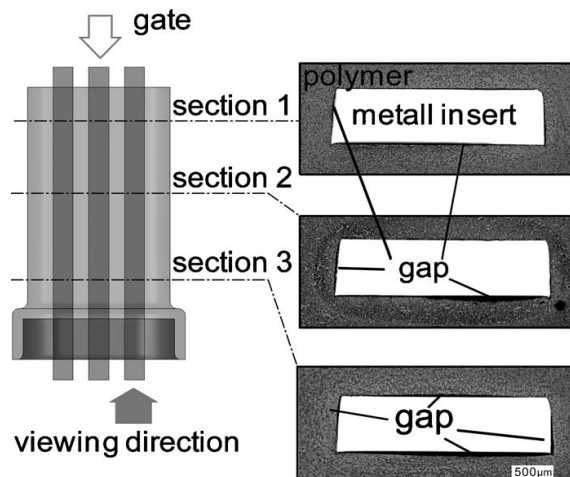
**Figure 5. Gives an Example of a Framework.**

The test specimen shows a leakage rate of  $2.7\text{cm}^3/\text{min}$  test pressure, 0.55 bars in a leak test conducted on a differential pressure monitoring system INTEGRA DD7 by Dr. Wiesner Germany. During differential pressure testing, a proportional pressure control valve applies a given air pressure to a reference volume and a test volume, i.e. the test specimen, over the course of the filling process. The test and comparison volumes are turned off after the filling cycle is finished.

The high temperature between the compressed parts of the test specimen and the test medium is then changed after a setting time. The test and comparison volumes are disconnected from each other at the end of the setting time. If the test specimen leaks, there would be a pressure differential between the test specimen and the reference volume over the course of the testing. A differential pressure transmitter will be used to calculate the difference. The created pressure difference can be assigned an equivalent volume flow leakage rate equal to volume flow per time unit  $\text{cm}^3/\text{min}$  by adding a test leakage.

Polished parts from several levels of this part were taken to examine the causes of leakage. The levels of the polished parts are shown in Figure 6 on the left. Photos of a metal insert were taken at different distances from the doors.

The plastic material withdraws all around the metal insert, creating breaks that lead to leakage, as shown in Fig.6 right side.



**Figure 6**

Figure 6 Breaks (gaps) between metal and polymer in the flow direction Part locations are shown on the left, and pictures of the sections are shown on the right.

Since packing pressure can barely compensate for contractage this far away from the gating, more such breaks can be found. Breaks are often wider at the top and bottom of the insert than on the edges. This is most likely in arrears to the geometrical boundary conditions, which prevent the material from contracting away from the edges.

## FINAL THOUGHTS

Assembly injection moulding with metal inserts allows for the development of highly integrated mechatronic systems in a cost-effective manner. One of the most significant criteria of these assembly moulding systems is media tightness. Contractage and war page determine this property of plastics/metal insert compounds as a device property. There are two types of failures that can occur in a mechatronic assembly, depending on how extreme the shrinkage and war page. One defect may be holes between the plastic and the insert, as well as cracks in the component's mechanics. It's vital to comprehend the driving factors, their interrelationships, and, most importantly, to weigh them. The material- and process-related characteristic values of the high temperatures and pressure fields that prevail during output must be taken into account.

They assess contractage and warpage, as well as the matrices' mechanical rheological properties and the adhesion of inserts to plastic materials. In terms of mould and insert high temperatures, thermal investigations must take thermal masses into account. This also refers to the high temperatures field asymmetries that occur, and thus to the local melt down high temperatures differences. Because of their hierarchical structure, the geometrical environments of fixing plastic and insert in the mould or inside the assembly community are important in deciding whether or not there will be holes or cracks in the product. It can be inferred from these theoretical modeling considerations and FE simulations that simultaneously measuring thermal, hydrodynamic, and geometric behaviors in injection moulding simulation is important for predicting the tightness of assembly molded mechatronic devices. A system was used to prove that performances defined popular the model occur in the tangible component as a result of three-dimensional shrinkage and warpage. More research is required to confirm this and to assist in the development of a strategy for reducing contractage and war page in fusion components by intelligently adjusting boundary conditions in terms of material, process, and design. This goal is considered to be the most important factor in developing products and processes for assembling media-tight molded components.

## REFERENCES

1. Schmachtenberg, E., and Johannaber, F., 2007, "Montagespritzgießen–Verfahrensprinzip und Definition," *Fachtagung Montagespritzgießen, Fürth*, pp. 1–17.
2. Rehbein, T., 2008, "Metall braucht Kunststoff," *Kunststoffe*, 9, pp. 31–33.
3. Johannaber, F., and Michaeli, W., 2004, *Handbook Spritzgießen*, Carl Hanser Verlag, Munich.
4. Zysk, T., 2005, "Mechatronik-Komplexe System mit Herausforderungen und en Lieferanten," *Ehrenstein/Amesöder: Kunststofftechnik Sensoren und Aktoren*, VDI-Verlag, Düsseldorf.
5. Myers, B., Bruns, J. H., and Ratell, J. M., 2001, "Embedded Electronics in Electro-Mechanical Systems for Automotive Applications," *SAE 2001 World Congress, Detroit*, SAE Technical Paper Series No. 2001-1-0691.
6. Huonker, H., 2006, "Beim Umspritzen Dicht Gemacht," *Kunststoffberater*, 51[1–2], p. 5.
7. Schulz, T., 2008, "Methods and Materials Achieve Tight Metal-Polymer-Composites," *Eighth International Congress Molded Interconnect Devices*, Nuremberg-Fürth.
8. Fiedler, M., 2006, "Standards für die ichtigkeiten beim Umspritzen von Einlegeteilen," *K-Impulse* 36, 6, p. 7.
9. Wilde, C., 2007, "Vom Einlegeteildurch das Werkzeug zur Gesamtlösung," *Technomer*, Chemnitz.
10. Lütte, W., 2008, "Fusion-Verbund in der Elektrotechnik: Forderungen und Lösungen," *Fusionica-Forum*, Munich.
11. Ehrenstein, G. W., Amesöder, S., Vetter, M., and Heinle, C., 2009, "Mediendichte elektrische Durchleitungen im Spritzgießverfahren," *Second International Connectors Symposium, Lemgo*, pp. 51–61.
12. Kuhmann, K., 1998, "Prozess- und material einflüsse beim hrkomponentenspritzgießen," *Ph.D. thesis*, LKT, Universität Erlangen-Nürnberg, Erlangen-Tennenlohe, Germany.
13. Michaeli, W., Grönlund, O., and Neuss, A., 2008, "Kombinieren ohne Grenzen," *Kunststoffe*, 7, pp. 39–45.
14. Hoven-Nievelstein, W.B., 1984, "Die Verarbeitungsschwindung thermoplastischer Formmassen," *Ph.D. thesis*, RWTH Aachen, Aachen, Germany.
15. Kennedy, P., 1995, *Flow Analysis of Injection Molds*, Carl Hanser, Munich.
16. Leipertz, A., 2003, *Wärme- und Stoffübertragung, Lehrbuch*, Esytec, Erlangen.