

# SPYDROID

Ms.Nandhini.P<sup>1</sup> , Ms.Selvakumari.S<sup>2</sup>

<sup>1,2</sup>(Department Of CS & IT,Dhanalakshmi Srinivasan College Of Arts & Science For Women,Perambaluer-621 212)

## Abstract:

The project entitled “Spydroid” is, essentially, software that allows parents to monitor the child's cell phone. All incoming and outgoing calls, texts and multimedia messages can be seen and interrupted by the parents, who can also monitor where the children are (through GPS), access a history of where the parent have been and set up alerts if the children are going outside of approved geographical zones, are receiving texts from unapproved numbers or calls from banned persons. This system uses Android based mobile phones for the software to be run. The mobile device in the hand of the children should be an Android based device and the parents may have any kind mobile devices, since the parents are going to receive alerts from the children in SMS format only. For convenience, the alerts are also stored in the centralized server like the details of incoming call, text and multimedia messages and the timely location update of their children. Parents may later login into the centralized server and view the details of the child's mobile usage. This system is really very helpful for the parents to monitor the children through mobile phones. By using this system, the parents can avoid the unnecessary things happened for the children those who are having mobile phones by monitoring the mobile phone usage and also by tracking the children's current location through the GPS.

*Keywords — Interrupted, Geographical zones, Banned persons, Convenice, Timely location update, Trarcking, GPS.*

## I. INTRODUCTION

The project entitled “SPYDROID” is developed under J2EE as front-end tool and MySQL as the back-end tool. The system is developed for tracking the children day-to-day activities on their mobiles.

The information about the incoming and outgoing SMS, Calls, MMS and including the whereabouts are regularly updated to the parent mobiles over the children mobiles and too the web server.

The system can be easily implemented to ensure the safety level of their children during the transit.

## II. EXISTING SYSTEM

In this real world environment there is no one project is like new application project. There are two types of projects are available.

First one is developing a project from an already existing project. Second one is newly developing a project. The Child Protection System is depends upon the second type.

### Drawbacks of existing system

➤ The parents cannot trace out the children's activities in the mobile, like SMS and Calls.

- The parents cannot know the children's current location.
- The parents cannot find out the speed of the children during travels in vehicles.
- 

### III. PROPOSED SYSTEM

The proposed system of SPYDROIOD will have a Mobile application and Web application which will bring in all the mobile information of children to the corresponding parent mobile and also to the centralized server.

**The Features of the proposed system are**

- The parent can easily track the children's day to day activities like SMS, MMS and call information.
- If the children crosses the specified Geographical location then the alert will be send to the parent's mobile as a SMS format.

### IV. MODULES

- ✓ Initialization
- ✓ Analyze the Student Mobile
- ✓ View Student Location
- ✓ Performance Evaluation

#### Initialization

This module handles by the student and the parent to initialize the application. The student and the parent have separate initialization. After that authentication process the user will enter the application.

#### Analyze The Student Mobile

In this module the application can analyze the student location using GPS system. In this system continuously analyze the location of the student though their mobile. This application used as a security for the student.

#### View The Student Location

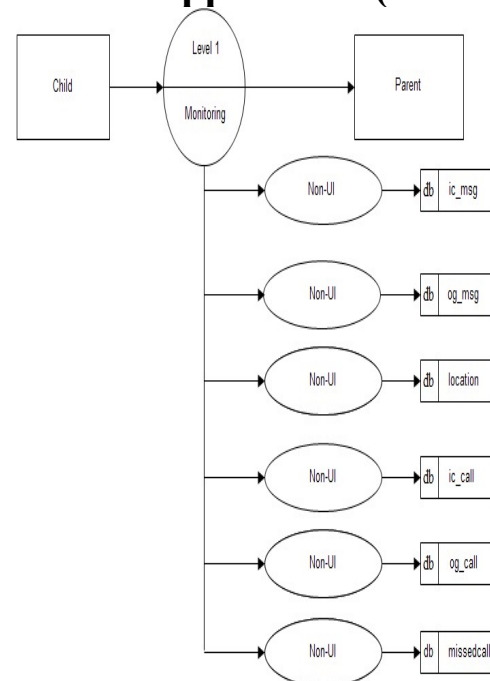
This module used to analyze location of the student. This module helps the parents to

view the present location of the child. This module views the place in the model of latitude and longitude.

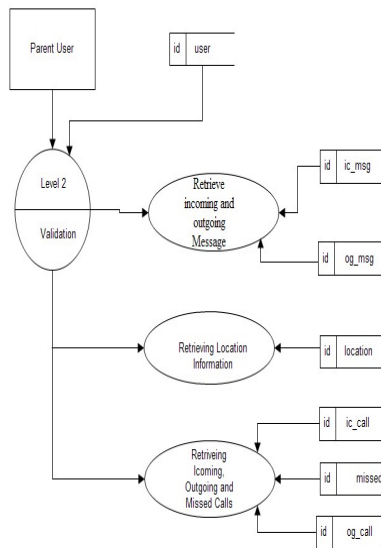
#### Performance Evaluation

In this module the overall performance of the application is obtained by the user. This application mainly evaluated to provide a security to the student. This process makes a protected system for student which will help to the parents to alert themselves about their child location.

### V. Mobile Application (Level 1)



## VI. Web Application (Level 2)



- Monitoring and alerting about Geo-Location – It will track the location changes and send the children’s current location to the corresponding parent.

### ✓ Web Application Module

Web application runs in the web server and performs request-response and database specific operations.

There are two sub modules in web application.

They are:

- Monitoring Servlet (Non-UI) – It will collect the HTTP request from the mobile application and store it to the database.
- Dashboard Servlet (UI) – It will show the all information when the user login into the web application.

## VII. MODULE DESCRIPTIONS

CPS has comprised of two main applications modules. It contains five sub modules.

They are

### ✓ Mobile Application Module

The mobile application runs as a background process in the children’s mobile phone and it will monitor for Incoming and outgoing SMS calls and listens for Geo-location change. It has the following functionalities. We can SMS in the form of Voice SMS.

There are three sub modules in mobile application.

They are:

- Monitoring and alerting about SMS – It will track and send the SMS to the parent.
- Monitoring and alerting about calls – It will track and send the call information to the corresponding parent.

The Child Protection System was developed by J2EE as Front-End and MySQL 5.1 as Back-End.

Child Protection System is developed for tracking the status of the children mobiles by sending the SMS messages to the Parent Mobiles from the CPS software running on the children mobiles. This System also sends the information such as SMS, Call Histories and GPS from UI application on web server for later use of the parent. Since, from this system the parent can protect the children from unwanted usage of the mobile phones.

## VII. CONCLUSION

The Child Protection System was developed by J2EE as Front-End and MySQL 5.1 as Back-End. Child Protection System is developed for tracking the status of the children mobiles by sending the SMS messages to the Parent Mobiles from the CPS software running on the children mobiles. This System also sends the information such as SMS, Call Histories and

GPS from UI application on web server for later use of the parent. Since, from this system the parent can protect the children from unwanted usage of the mobile phones.

### **ACKNOWLEDGMENT**

*The author deeply indebted to honorable ShriA.SRINIVASAN(Founder Chairman), SHRIP.NEELRAJ(Secretary) Dhanalakshmi Srinivasan Group of Institutions, Perambalur for giving me opportunity to work and avail the facilities of the College Campus.*

*The author heartfelt and sincere thanks to Principal Dr.ARUNADINAKARAN, Vice Principal Prof.S.H.AFROZE, HoD Mrs.V.VANEESWARI, (Dept. of CS & IT) Project Guide Ms.S.SELVAKUMARI, (Dept. of CS & IT) of Dhanalakshmi Srinivasan College of Arts & Science for Women, Perambalur. The author also thanks to parents, Family Members, Friends, Relatives for their support, freedom and motivation.*

### **REFERENCES**

1. H.M.Deitel, P.J.Deitel, T.R.Nieto, 2001, 'XML: How to Program', Pearson Education.
2. Jason Hunter with William Crawford, 2001, 'Java Servlet Programming', originally published by O'Reilly & Associates Inc.
3. Jim Keogh, 2002, 'J2EE: The Complete Reference' The McGraw Hill Companies, Inc.
4. Mark Dexter Version 1.1, 2008, 'Eclipse and Java: Using the Debugger Companion Tutorial Guide' Licensed under the Educational Community License version 1.0.
5. Mark Dexter, 2007, 'Eclipse and Java for Total Beginners Tutorial Companion Guide' Licensed under the Educational Community License version 1.0.
6. Paul Giotto, Scott Grant, Michael Kovacs, 2000, 'Professional JMS Programming', Wrox Press
7. Rashim Mogha, V.V.Preetham, 2010, 'Java Web Services Programming' by Wiley Publishing Inc.
8. Reto Meier, 2009, 'Professional Android Application Development' by Wiley Publishing, Inc, Indianapolis, Indiana
9. Vikram Vaswani, 2004, 'The Complete Reference MySQL', Tata McGraw Hill Companies, Inc.
10. Vivek Chopra, Sing Li, Jeff Genender, 2007, 'Professional Apache Tomcat 6', by Wiley Publishing, Inc.

### **BIOGRAPHICAL NOTES**

*Ms.NANDHINI.P is presently pursuing Computer Science M.Sc., Final year the Department of Computer Science From Dhanalakshmi Srinivasan College of Arts and Science for Women, Perambalur, Tamil Nadu, India.*

*Ms.SELVAKUMARI.S - Received M.S.c., M.Phil Degree in Computer Science. She is currently working as Assistant Professor in Department of Computer Science in Dhanalakshmi Srinivasan College of Arts and Science for Women, Perambalur Tamil Nadu, India.*