



Design & Analysis of on Chip Voltage Regulator Circuits for Low Power VLSI Applications

Vijendra K Maurya¹, Navneet Agrawal², Ashik Hussan³

¹PhD Scholar, Department of Electronics & Communication Engineering, Career Point University, Kota, Rajasthan, India. maurya.vijendra@gmail.com

²Professor, College of Technology and Engineering, Maharana Pratap University of Agriculture and Technology, Udaipur, Rajasthan, India. navneetctae@gmail.com

³Head, Department of Computer Science & Engineering, Engineering Career Point University, Kota, Rajasthan, India. ashik.hussain@cpur.edu.in

Abstract Due to advancement of Digital India a lot of peoples move to digital era. Today Life cannot be seemed possible without electronic gadgets. Regarding portability power dissipation is main constraint. Consumer demands more features in small size and extended battery life at a lower cost On chip voltage regulator is widely used in integrated circuits (ICs) due to the continuous power supply reduction which is dedicated to several kind of applications Cameras (CMOS image sensor), LCD Display, Protection Device, Battery-powered Devices, Smoke Detectors, CO₂ Detectors etc. On chip voltage regulator used in this application, basically it is DC to DC converter which has capacitor instead of an inductor or transformer for energy storage. In this paper comparison established between two techniques of on chip voltage regulator circuits i.e. Feed -Forward Ripple Cancellation (FFRC) and MOS Capacitor Compensation (MCC) techniques in terms output voltage, power consumption, load current, drop out voltage and load regulation.

Keywords voltage regulator, load current, load regulation

1. Basic of Voltage Regulator

The system which is battery-operated, low Drop-out CMOS design becomes necessary for low power dissipation. CMOS processes have been used in large-scale integrated circuits like LSI and microprocessors, they have been miniaturized constantly. Advantage of the miniaturization technology, CMOS linear regulators has become the power management ICs that are widely used in portable electronics products to realize low profile, low dropout, and low supply current. Therefore voltage regulator circuit is likely to become a crucial component in low power CMOS design.

1.1. Low Drop-out Voltage Regulator

LDO voltage regulators are necessary building blocks in power-management systems. Power management systems for microprocessors and portable devices often use multiple LDO regulators to offer a regulated supply voltage with minimum ripple to supply-noise-sensitive blocks [1]. To raise battery-life and to achieve better power efficiency, low-dropout regulators are essential. The low drop-out nature of the regulator makes it appropriate for use in many applications, namely, automotive, portable and biomedical applications. LDO (Low Dropout) regulators enable battery to be used up to the limit, and therefore the regulators are now essential power management ICs for the devices like mobile phones, digital cameras, and laptop PCs to have long battery life. Because LDO regulators feature to pull large current with small input-output voltage



differential while minimizing heat losses, they can meet the wide range of current requirements of each device. In linear regulators, the output voltage is affected by the input voltage. LDO regulator is a DC linear voltage regulator that can regulate the output voltage even when the supply voltage is very close to the output voltage. The advantages of a low dropout voltage regulator over other DC to DC regulators include the absence of switching noise, smaller device size, and greater design simplicity. A significant disadvantage is that, unlike switching regulators, linear DC regulators must dissipate power across the regulation device in order to regulate the output voltage. It offers an optimal combination of low dropout voltage, low quiescent current, fast transient response, low noise and good ripple rejection.

LDO voltage regulator is a circuit which is designed to provide a pre-determined DC voltage under varying load, temperature and input voltage condition. The main components are a power FET and a differential amplifier (error amplifier). One input of the differential amplifier observes the fraction of the output determined by the resistor ratio of R1 and R2. The second input to the differential amplifier is from a stable voltage reference. If the output voltage rises too high relative to the reference voltage, the drive to the power FET changes to maintain a constant output voltage. A variety of electronic equipments contain circuit which convert AC supply voltage into DC voltage at the desired level.

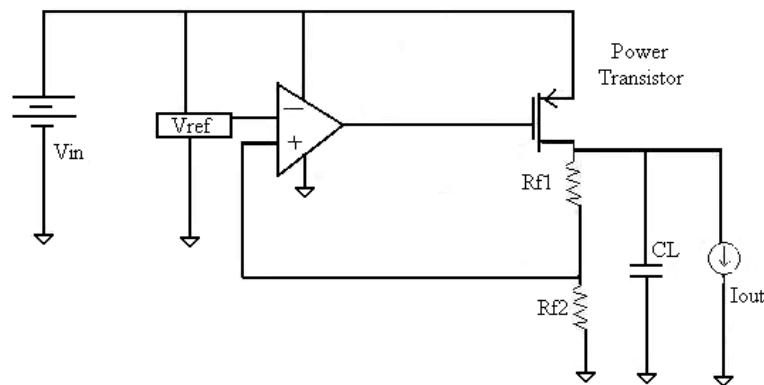


Figure 1.1: LDO Voltage Regulator Circuit (1)

The DC voltage attained from such circuits must be stable. The DC voltage regulated power supplies are used to acquire the stable DC voltage yet there are variations in load current, temperature and AC line voltage. This power supply attenuates the ripple in the input voltage. The essential function of a voltage regulator is voltage regulation, provides clean, constant, accurate voltage to a circuit. LDO consists of a pass transistor, an error amplifier EA, a feedback network (RF1 and RF2) and a immense off chip capacitor . C_L represent Current source, I_L represents the required current by the load.

2. Component of On Chip Voltage Regulator

2.1. Reference Voltage

In the reference voltage generator, a zener diode is being compelled to operate at fixed point (so that zener output voltage is a fixed voltage) by a constant current Source which comes along with an amplifier to generate a constant voltage of 7.15V at the Vref pin of the IC.

2.2. Error Amplifier

An error amplifier is most commonly encountered in feedback unidirectional voltage control circuits, where the sampled output voltage of the circuit under control, is feedback and compared to a stable reference voltage. Any difference between the two voltage generates a compensating error voltage which tends to move the output voltage towards the design specification. An error amplifier, it amplifies an error signal. This error is based on the difference between a reference signal and the input signal.



load. Figure. 3.1 presents a simplified block-level description of the FFRC-LDO and actual case, part of the ripples leak through the finite output resistance of Mp and must be removed.

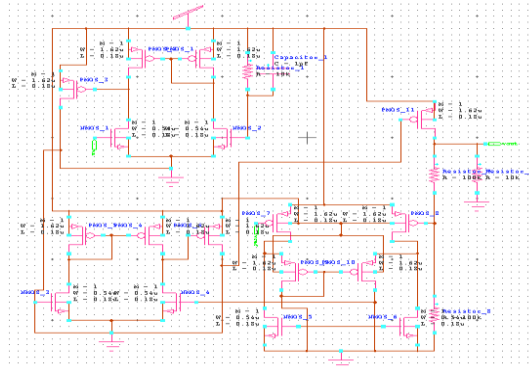


Figure 3.1: Schematic of Feed-Forward Ripple Cancellation Technique

3.2. MOS Capacitor Compensation Technique [MCC] using single stage amplifier

This technique presents a full on-chip and area efficient low-dropout voltage regulator (LDO) which uses the technique nested miller compensation with active capacitor (NMCAC) to eliminate the external capacitor without compromising the stability of the system in the full output current range. The external capacitor is removed allowing for greater power system integration for system on-chip applications. To have a fast transient response, a buffer is inserted between the error amplifier and the power MOS transistor. This technique reduces the dc loop gain in the low supply voltage. To achieve a large dc loop gain, a gain stage replaces this buffer in the regulator. It converts the LDO to be a multi-stage amplifier. To stabilize a multi-stage LDO, the complicated frequency compensation is needed.

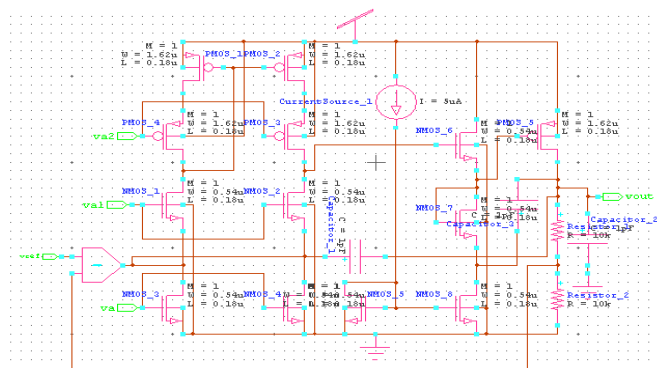


Figure 3.2: Schematic of MOS Capacitor Compensation Technique [MCC] using single stage amplifier

4. Result, Analysis and Comparison

In this section we have compared the result of Feed-Forward Ripple Cancellation Technique (FFRC) and MOS Capacitor Compensation Technique [MCC] using single stage amplifier techniques on chip voltage regulator circuits. Here we show that the Simulation results of both types of voltage regulator. Function of designs is verified by using simulation based verification. This verification guarantees that the design is functionally correct when tested with given inputs. Designed voltage regulator pump has been implemented and simulated on Tanner tool in 180 nm technology.



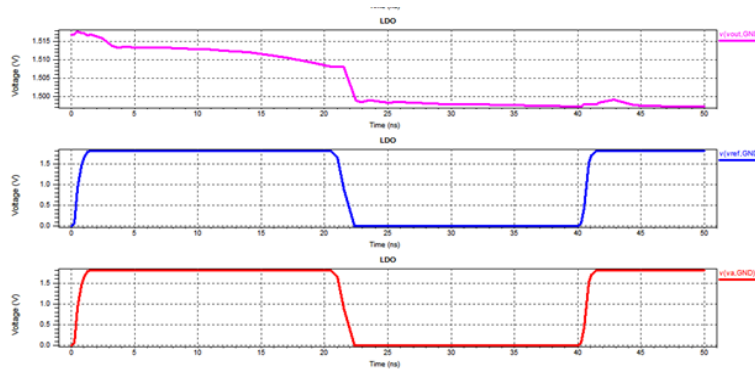


Figure 4.1: output waveform of feed-forward Ripple cancellation technique

Table 4.1: output voltage, load current, power consumption, dropout voltage, load regulation at different V_{DD} of FFRC

Input(V)	Output(V)	Power Consumption(mW)	Load Current(μ A)	Drop-Out Voltage (V)	Load Regulation (V/mA)
1.5	1.23	0.654	52	0.27	6.3
1.8	1.52	0.623	72	0.28	7.0
2.0	1.7	0.386	88	.30	8.01

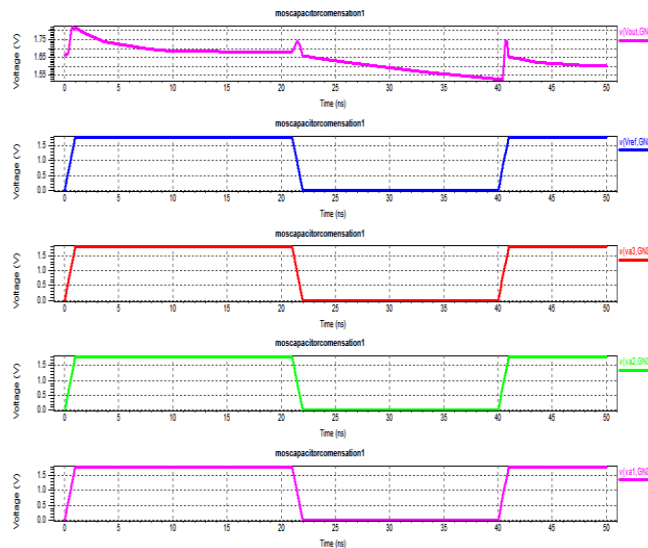


Figure 4.2: output waveform of MOS capacitor compensation technique using single stage operational amplifier

Table 4.2: output voltage, load current, power consumption, dropout voltage, load regulation at different V_{DD} of MCC

Input (V)	Output (V)	Power Consumption(mW)	Load Current (μ A)	Drop-Out Voltage (V)	Load Regulation (V/mA)
1.5	1.45	0.439	5	0.05	1.56
1.8	1.75	0.791	10	0.05	2..93
2.0	1.95	1.08	20	0.05	3.68

5. Conclusion

From the above results, it was concluded that at same input voltage output voltage of MCC on chip voltage regulator is higher than FFRC on chip voltage regulator with less power consumption. Drop output voltage of MCC is constant while FFRC output voltage is variable with supply volgte.

References



- [1]. Yan Lu, Yipeng Wang, Quan Pan, Wing-Hung Ki and C. Patrick Yue, "A Fully-Integrated Low-Dropout Regulator With Full-Spectrum Power Supply Rejection", IEEE Transaction On Circuits And Systems, vol:62, March 2015.
- [2]. Ho Quang Tay and Viet Nam, "An improvement of the current-voltage conversion technique in over-current sensing circuit for low-power low dropout linear voltage regulators", Springer Publication, June 2015.
- [3]. Chenchang Zhan and Wing-Hung Ki, "Analysis and Design of Output-Capacitor-Free Low-Dropout Regulators With Low Quiescent Current and High Power Supply Rejection", IEEE Transactions On Circuits And Systems, Vol.61, Feb 2014.
- [4]. Torres.J, EL-Nozahi, Gopalraju and Abdullah, "Low Drop-Out Voltage Regulators: Capacitor-less Architecture Comparison", IEEE Transactions On Circuits And Systems, Vol.14, MAY 2014.
- [5]. Xin Ming, Nie Li, Yang Lu, Zhuo Wang, Ze-kun Zhou and Bo Zhang, "A wide-bandwidth PSR-enhanced low-dropout regulator using a bandpass feedforward supply ripple rejection circuit", Springer Publication, June 2014.
- [6]. Kamal,Z. Hassan,Q.and Mouhcine,Z, "Robust full on-chip CMOS low dropout voltage regulator with active compensation", IEEE Publication, MAY 2013.
- [7]. Xi Qu, Ze-kun Zhou and Bo Zhang, "A fully on-chip 1-IW capacitor-free low-dropout regulator with adaptive output stage", Springer Publication, NOV 2013.
- [8]. Zared Kamal, Zouak Mouhcine and Qjidaa Hassan, "Full On-Chip CMOS Low Dropout Voltage Regulator Using MOS Capacitor Compensation", IEEE Publication, 2012.
- [9]. Edward N. Y. Ho and Philip K. T. Mok, "Wide-Loading-Range Fully Integrated LDR With a Power-Supply Ripple Injection Filter", IEEE Transactions On Circuits And Systems Vol.59, June 2012
- [10]. Chiahung Su, Syed K. Islam, Kai Zhu and Liang Zuo, "A high-temperature, high-voltage, fast response linear voltage regulator", Springer Publication, May 2012.
- [11]. Suming Lai and Peng Li, "A fully on-chip area-efficient CMOS low-dropout regulator with fast load regulation", Springer Publication, Feb 2012.
- [12]. Marco Ho, Ka Nang Leung and Ki-Leung Mak, "A Low-Power Fast-Transient 90-nm Low-Dropout Regulator With Multiple Small-Gain Stages", *IEEE Journal Of Solid-State Circuits*, Vol. 45, Nov 2010.
- [13]. Mohamed El-Nozahi, Ahmed Amer, Joselyn Torres, Kamran Entesari, and Edgar Sánchez-Sinencio, "High PSR Low Drop-Out Regulator With Feed-Forward Ripple Cancellation Technique", *IEEE Journal Of Solid-State Circuits*, VOL. 45, March 2010.
- [14]. Paulo Cesar Crepaldi, Tales C. Pimenta, Robson L. Moreno and Edgard Charry Rodriguez, "A linear voltage regulator for an implantable device monitoring system", *Springer Publication*, Feb 2010.
- [15]. Anjali V. Nimkar, Shirish V. Pattalwar and Preeti R. Lawhale, "Vlsi Implementation Of A Programmable Low Drop-Out Voltage Regulator", *International Journal of Research in Engineering and Technology*, Vol.04, Issue-05, May 2015.
- [16]. Anjali V. Nimkar, Shirish V. Pattalwar and Preeti R. Lawhale, "Design of a Programmable Low Drop-Out Regulator using CMOS Technology", *International Journal of Innovative Research in Computer and Communication Engineering*, Vol. 3, Issue 2, Feb 2015.
- [17]. Mohammad Maadi, "A Linear CMOS Low Drop-Out Voltage Regulator in a 0.6 μ m CMOS Technology", *International Journal of Electronics and Electrical Engineering*, Vol. 3, No. 3, June 2015.

