

A New Procedure for People Manipulate Dwelling Home Equipment Using Zigbee Technology

¹Pamula Mamatha , ²S.Shilpika

¹M-Tech, Dept. of ECE Laqshya institute of technology & sciences –Khammam, T.S.-India

²Assistant Professor, Dept. of ECE Laqshya institute of technology & sciences –Khammam, T.S.-India

Abstract:

In this paper based totally on Zigbee technology, a wireless remote and detecting gadget for smart home is evolved which realized the detecting of domestic device and the country of the residence surroundings. Nowadays, domestic home system producers are increasingly more counting on wireless sensor community and single chip embedded era to construct smart surroundings. Many present day systems are already in the market; but, they were designed with out envisioning the want of residents with unique wishes.

Keywords — **Micro controller, zigbee, smoke sensor.**

I.INTRODUCTION

This section proposes a domestic vicinity network framework that transforms input requests and output in a domestic environment based on person's particular wishes. The disabled man or woman could be given a manipulate segment if you need to allow him to pick the devices which he desires to on/off using keys. Based at the keys pressed, the manipulate devices might be operated via the use of zigbee. The zigbee transceiver transfers statistics from manipulate section to home phase. Whenever temperature and smoke are past the edge values, the statistics regarding temperature and smoke may be sent to govern section through zigbee. Accordingly, Buzzer alert is given within the control segment.

II. LITERATURE SURVEY

The proposed challenge is absolutely based at the idea of IoT that allows the connection and manipulate of manner remotely. The implementation of IoT makes a great deal of emphasis on giving internet connectivity to the tool, that's carried out using net on chip microcontroller. This capacity to get right of

entry to and use the internet is used to attach the dwelling automation machine to the mobile app/internet app if you need to be the control factor of user.

On this paper , to address those troubles, an shrewd commonplace far off manipulate technique for residing domestic device named point-n- Press is proposed. Factor-n-Press addresses the directionality function, which allows accessible and intuitive control by pointing to the purpose tool to display the aim's manage interface on the screen of the remote controller. By leveraging the nation dependencies of dwelling machine/gadget operations, simplest functional buttons which can be critical to the present day context are utilized. Two actual prototypes are finished to verify the feasibility of the proposed scheme. The assessment effects show that element-n-Press is a beneficial and appropriate manage scheme for IoT-focused realistic houses.

III. BLOCK DIAGRAM

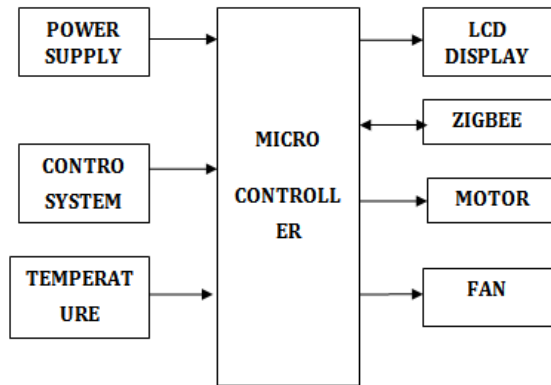


Figure 1 : Functional Block Diagram

IV. PROPOSED FRAME WORK

In this paper, it comes out a quandary that how you could control and control these growing numerous home equipment correctly and with no trouble as a way to advantage greater at ease, security and healthy area at dwelling.

A wise manipulate method situated at the technology of internet of matters has been proposed to remedy the above predominant difficulty. The wise control device embraces the capabilities of system reveal, control and management, domestic protection, strength records and evaluation. On this paper, with more and more applications of net of things in many domain names, it also steps into clever houses.

On this paper, we propose an internet of subjects-based totally clever home procedure for residence relief, entertainment and safety. This technique uses embedded technique, 3G, and ZIGBEE technology

V. COMPONENTS USED

A MICROCONTROLLER :

A microcontroller can essentially be defined as a small computer (SoC) on a single IC which contains a processor center, memory, and programmable input/output peripherals. Also, a small amount of RAM is included at the chip. In this machine a ARM7 LPC2148 microcontroller is used. Microcontrollers are basically designed for embedded packages

as they may be greater efficient for embedded programs compared to popular motive packages and computers in which microprocessors paintings higher.

ARM7 is a 32 bit microcontroller in a small LQFP64 package.

It has 32kb on chip SRAM and 512kb on chip Flash reminiscence.

It has two IO ports every of 32 bit wide gave by 64 pins .

It has single 10 bit ADC which gives variable easy yield.

It has two 32 -bit Timer/out of doors occasion counters, PWM unit and watch dog. Which offers very low power intake and excessive overall performance . The ARM shape is mounted on decreased manual Set pc (RISC) thoughts and the rule of thumb set and associated decode mechanism are a lot simpler than the ones of micro programmed difficult preparation Set laptop structures (CISC). This simplicity outcomes in a high manual throughput and astonishing real-time interrupt reaction from a small and cost green processor middle. Pipeline approaches are hired so that each one elements of the processing and reminiscence strategies can function consistently. Commonly, at the identical time one practice is being performed, its successor is being decoded, and a third instruction is being fetched from memory.



Figure 2 : A microcontroller

ZIGBEE

Zigbee is an IEEE 802.15.4-based totally specification for a set of excessive-

degree communication protocols used to create non-public area networks with small, low-power virtual radios, such as for domestic automation, clinical tool records series, and one of a kind low-power low-bandwidth dreams, designed for small scale duties which need wireless connection.

Hence, zigbee is a low-energy, low information charge, and near proximity (i.E., private area) wi-fi advert hoc community

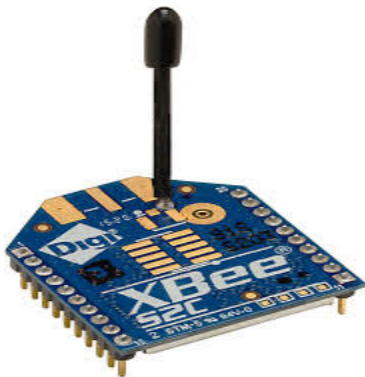


Figure 6 : Zigbee.

BUZZER

A buzzer or beeper is an audio signaling tool, which can be mechanical, electromechanical, or piezoelectric. Typical uses of buzzers and beepers encompass alarm devices, timers, and confirmation of customer input such as a mouse click or keystroke.



Figure 4 : A buzzer

LCD (liquid crystal display) :

A liquid-crystal display (LCD) is a flat-panel show or one of a kind electronically

modulated optical device that makes use of the mild-shade or mono chrome.

Modulating houses of liquid crystals. Liquid crystals do not emit moderate proper away, as an alternative the usage of a backlight or reflector to provide pictures in



Figure 4 : LCD (liquid crystal display) :

TEMPERATURE SENSOR :

Temperature sensor The LM35 series are precision included-circuit temperature sensors, whose output voltage is linearly proportional to the Celsius (Centigrade) temperature. It is low fee and small length sensor. Its temperature variety is -fifty five° to +a hundred and fifty°C.

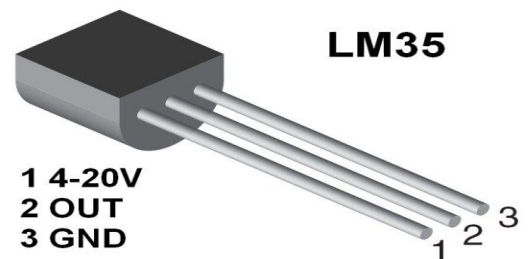


Figure 4 : Temperature sensor

A DC motor :

A DC motor is any of a category of rotary electric machines that converts direct cutting-edge electric strength into mechanical electricity. The most common kinds depend on the forces produced via the use of magnetic fields.

Nearly all types of DC automobiles have some inner mechanism, both electromechanical or virtual, to periodically change the path of cutting-edge flow in a part of the motor.



Figure 4 : A DC motor

VI. WORKING PROCEDURE

The sensors such as temperature and humidity will sense the parameters.

VII. PICTURES OF PROJECT

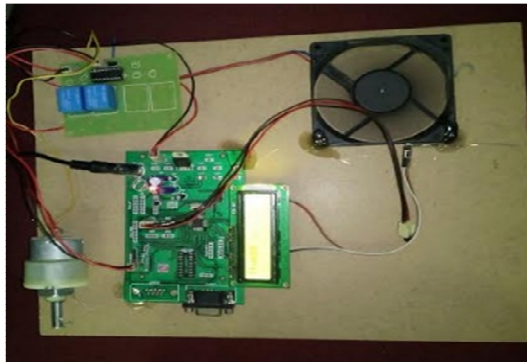


Figure 5: RESULT

VIII. CONCLUSION

An intuitive control method with a set of individual-excellent operations, known as thing-n-Press, is proposed for controlling related instruments/home equipment in IoT-based practical houses. The proposed scheme leverages the directionality characteristic of IR to allow easy and

intuitive manipulate of gadgets (i.e., controlling an equipment in smart Homes with the aid of way of pointing to it). A person-fine UI is designed via because the kingdom dependencies among eachmanipulate operation. This design disables buttons which may be beside the factor to the modern context to keep away from clients from performing mal-operations. With the demonstration of real prototypes with controlling appliances in smart residences, the feasibility of an intelligent common far flung control approach for residing home equipment with intuitive and purchaser-friendly sides is established. Within the designs of the FSM and bit-string formatted manipulate codes, the communicate among a ways off controllers and domestic equipment calls for much less bandwidth consumption. In assessment with in advance evaluations that rent traditional XML and the RF4CE-based approaches, the proposed manipulate manner massively reduces the bandwidth consumption at the same time multiple clients concurrently manage countless domestic system.

REFERENCES

- [1] F. Wang, L. Hu, J. Zhou, and K. Zhao, "A survey from the perspective of evolutionary process in the Internet of Things," *Int. J. Distrib. Sens. Netw.*, vol. 2015, no. 9, pp. 1–9, Jan. 2015.
- [2] M. Javier et al., "From the internet of things to the internet of people," *IEEE Int. Comput.*, vol. 19, no. 2, pp. 40–47, Mar. 2015.
- [3] L. Zhang, L. Zheng, H. Yang, and T. J. Pan, "Research of the key technologies of the smart home based on IOT," *Appl. Mech. Mater.*, vol. 713–715, pp. 2304–2307, Jan. 2015.
- [4] M. R. Alam, M. B. I. Reaz, and M. A. M. Ali, "A review of smart homes—past, present, and future," *IEEE Trans. Syst.*,

Man, Cyber., vol. 42, no. 6, pp. 1190–1203, Nov. 2012.

[5] K. Ben, P. Sachin, A. Pieter, and G. Ken, “A survey of research on cloud robotics and automation,” *IEEE Trans. Autom. Sci. Eng.*, vol. 12, no. 2, pp. 398–409, Apr. 2015.

[6] C.-H. Lu et al., “Energy-responsive aggregate context for energy saving in a multi-resident environment,” *IEEE Trans. Autom. Sci. Eng.*, vol. 11, no. 3, pp. 715–729, Jul. 2014.

[7] H. C. Tadimetri and M. Pulipati, “Overview of automation systems and home appliances control using PC and microcontroller,” *Int. J. Sci.Res.*, vol. 2, no. 4, pp. 127–131, Apr. 2013.

[8] T. Kim, H. Lee, and Y. Chung, “Advanced universal remote controller for home automation and security,” *IEEE Trans. Consumer Electron.*, vol. 56, no. 4, pp. 2537–2542, Nov. 2010

[9] Pavithra.D, Ranjith Balakrishnan, “IoT based Monitoring and Control System for Home Automation”, *Proceedings of 2015 Global Conference on Communication Technologies(GCCT 2015)*.

[10] Dongyu Wang, Dixon Lo, Janak Bhimani and Kazunori Sugiura, “AnyControl - IoT based Home Appliances Monitoring and Controlling”, *2015 IEEE 39th Annual International Computers, Software And Applications Conference*.

Authors Profiles



PAMULA MAMATHA received the B.Tech degree in Electronics and communication from Swarna Bharathi College of Engineering affiliated by

university of JNTUH, in 2013 and pursuing M.Tech degree in embedded systems from Laqshya institute of Science and technology from the university of JNTUH. She is interested in embedded system, digital system, VLSI Technology and analog systems. Presently she is working on ‘A NEW PROCEDURE FOR PEOPLE MANIPULATE DWELLING HOME EQUIPMENT USING ZIGBEE TECHNOLOGY.’



S.SHILPIKA, received B.Tech degree in Electronics and Communication Engineering and M.Tech degree from JNTU, Hyderabad. She is currently working as an Assistant Professor, in Department of ECE, in LAQSHYA INSTITUTE OF TECHNOLOGY AND SCIENCES, Khammam, T.S, India. Her Research interests on MICRO PROCESSORS & VLSI and she had 4 years of Teaching Experience